

PLANNING GUIDE

**BUILT-IN
FRENCH DOOR
REFRIGERATORS**

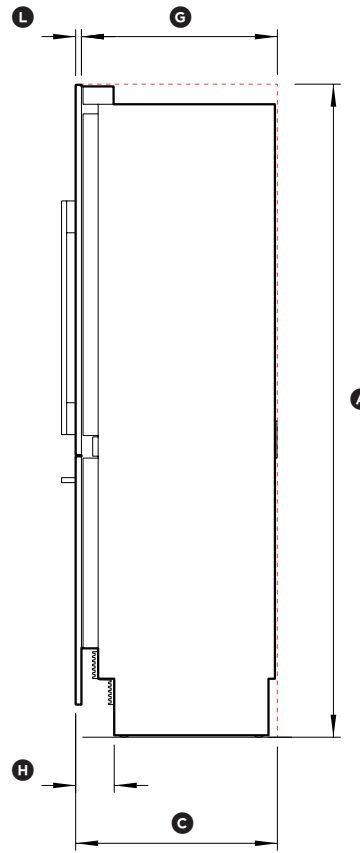
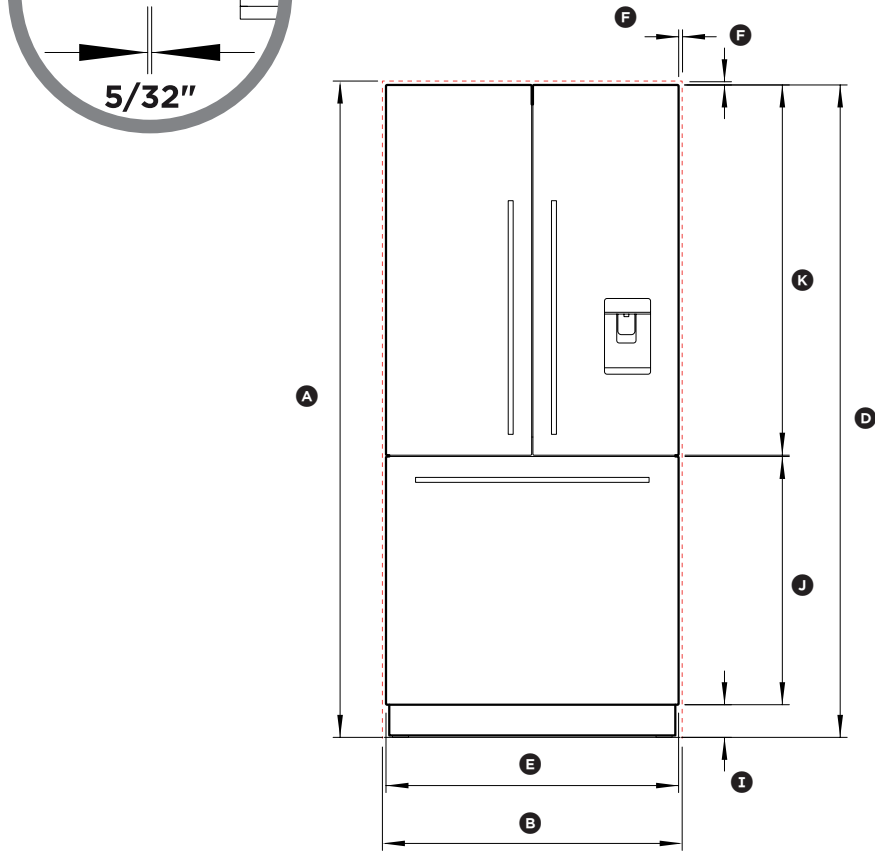
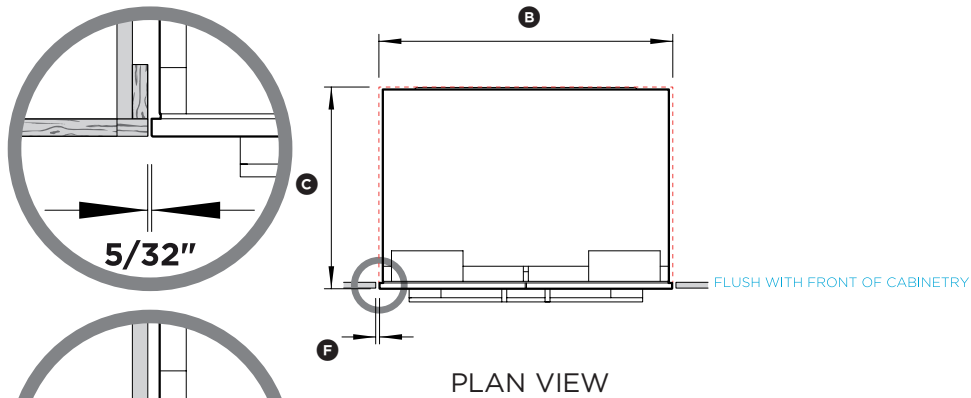
—
OCTOBER 2015

Fisher & Paykel

CONTENTS

RS36A80U1 & RS36A80J1		
with Stainless Steel Door panels		
	in	mm
Product & Cavity Dimensions	4	16
Door Opening & Clearance Dimensions	8	22
Cavity Preparation	14	28
Max Distance of Hose & Cord	16	30
RS36A80J1		
with Custom Door panels		
Product & Cavity Dimensions	9	23
Door Opening & Clearance Dimensions	10	24
Custom Panel Dimensions	11	25
Custom Panel Preparation	12	26
Cavity Preparation	14	28
Max Distance of Hose & Cord	16	30

IMPERIAL



PRODUCT & CAVITY DIMENSIONS

36" ActiveSmart™ Built-in Refrigerator

Model no:

RS36A80U1

(with Stainless Steel Door panels PART NO. RD3680U)

Cavity Dimensions	in
Ⓐ Overall height of cavity	80"
Ⓑ Overall width of cavity	36"
Ⓒ Overall depth of cavity	24 3/4"

Total front panel width with required gaps at sides = 36" (Ⓔ product width + 2 x Ⓒ cabinetry gaps).

Height of front panels with required gap above = 80" (Ⓓ product height + Ⓔ cabinetry gap).

Product Dimensions	in
Ⓓ Overall height of product*	79 13/16"
Ⓔ Overall width of product	35 11/16"
Ⓒ Minimum cabinetry gap clearance from edge of product	5/32"
Ⓒ Overall depth of product (excl. front door panels)	23 3/4"
Ⓗ Depth of toekick (measured from front of door panels)	4 3/4"
Ⓙ Height of toekick**	4"
Ⓚ Height of bottom drawer panel	30 3/8"
Ⓛ Height of top door panels	45 1/4"
Ⓜ Depth of product front panels (excludes handles)**	3/4"

* Includes mounted feet

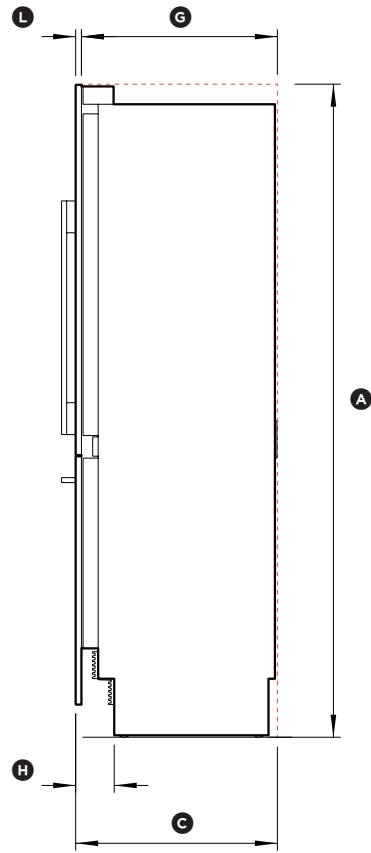
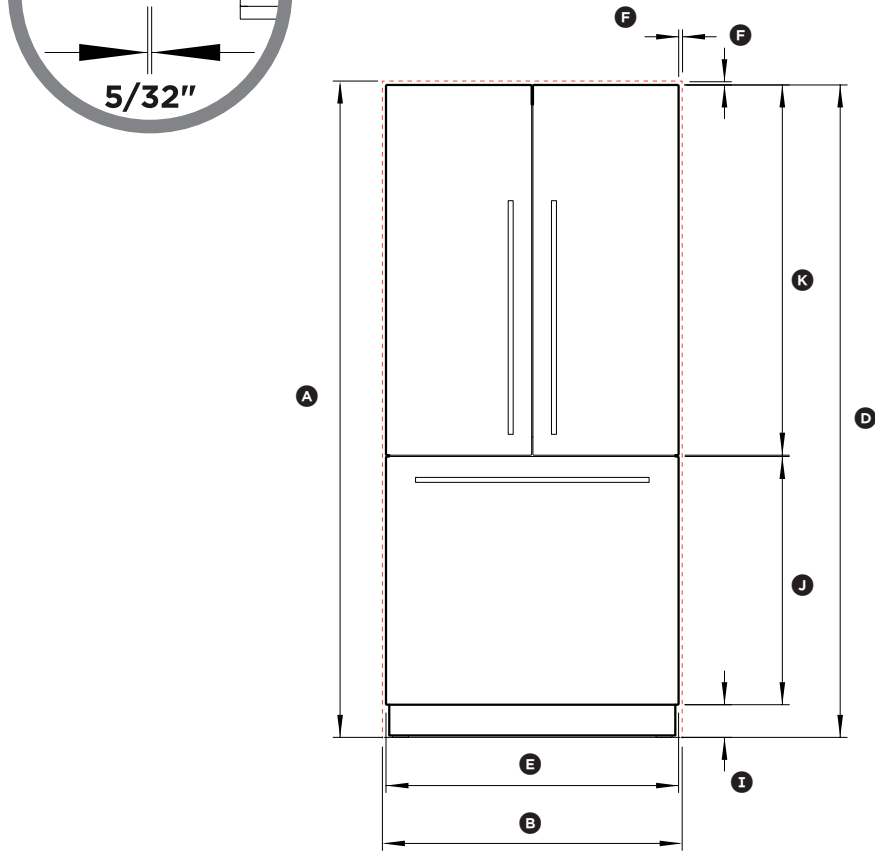
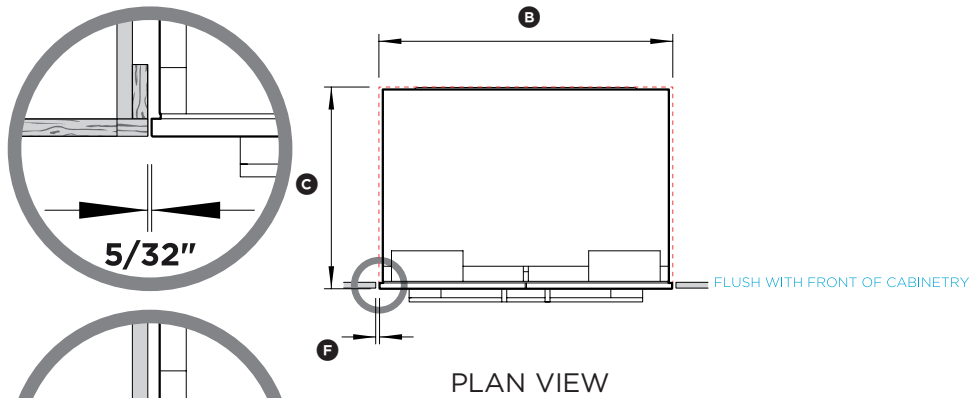
** Does not include custom toekick to be manufactured and fitted by cabinetmaker

*** Optional EZKleen Stainless Steel front panels - PART NO. RD3680U

INDICATES CAVITY CLEARANCES - - - - -

DATE: 14.10.2015

IMPORTANT NOTE: Throughout this guide, dimensions may vary by ±2mm (3/32"). Please read the installation manual for detailed information on installing the product. www.fisherpaykel.com



PRODUCT & CAVITY DIMENSIONS

36" ActiveSmart™ Built-in Refrigerator

Model no:

RS36A80J1

(with Stainless Steel Door panels PART NO. RD3680)

Cavity Dimensions	in
Ⓐ Overall height of cavity	80"
Ⓑ Overall width of cavity	36"
Ⓒ Overall depth of cavity	24 3/4"

Total front panel width with required gaps at sides = 36" (Ⓔ product width + 2 x Ⓕ cabinetry gaps).

Height of front panels with required gap above = 80" (Ⓓ product height + Ⓔ cabinetry gap).

Product Dimensions	in
Ⓓ Overall height of product*	79 13/16"
Ⓔ Overall width of product	35 11/16"
Ⓕ Minimum cabinetry gap clearance from edge of product	5/32"
Ⓒ Overall depth of product (excl. front door panels)	23 3/4"
Ⓗ Depth of toekick (measured from front of door panels)	4 3/4"
Ⓘ Height of toekick**	4"
Ⓙ Height of bottom drawer panel	30 3/8"
Ⓚ Height of top door panels	45 1/4"
Ⓛ Depth of product front panels (excludes handles)**	3/4"

* Includes mounted feet

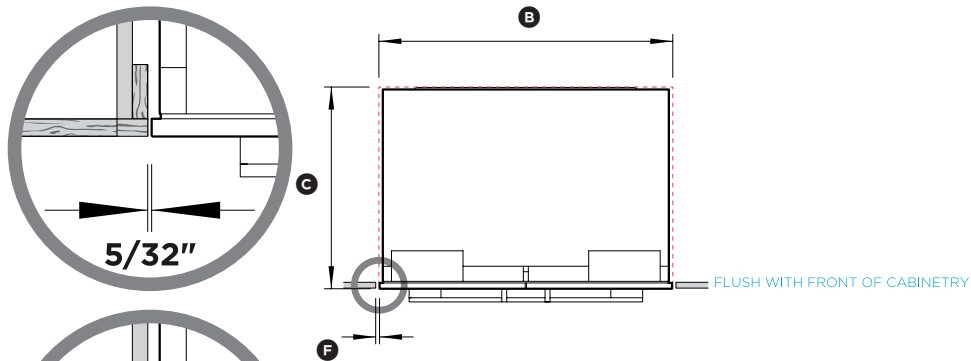
** Does not include custom toekick to be manufactured and fitted by cabinetmaker

*** Optional EZKleen Stainless Steel front panels - PART NO. RD3680

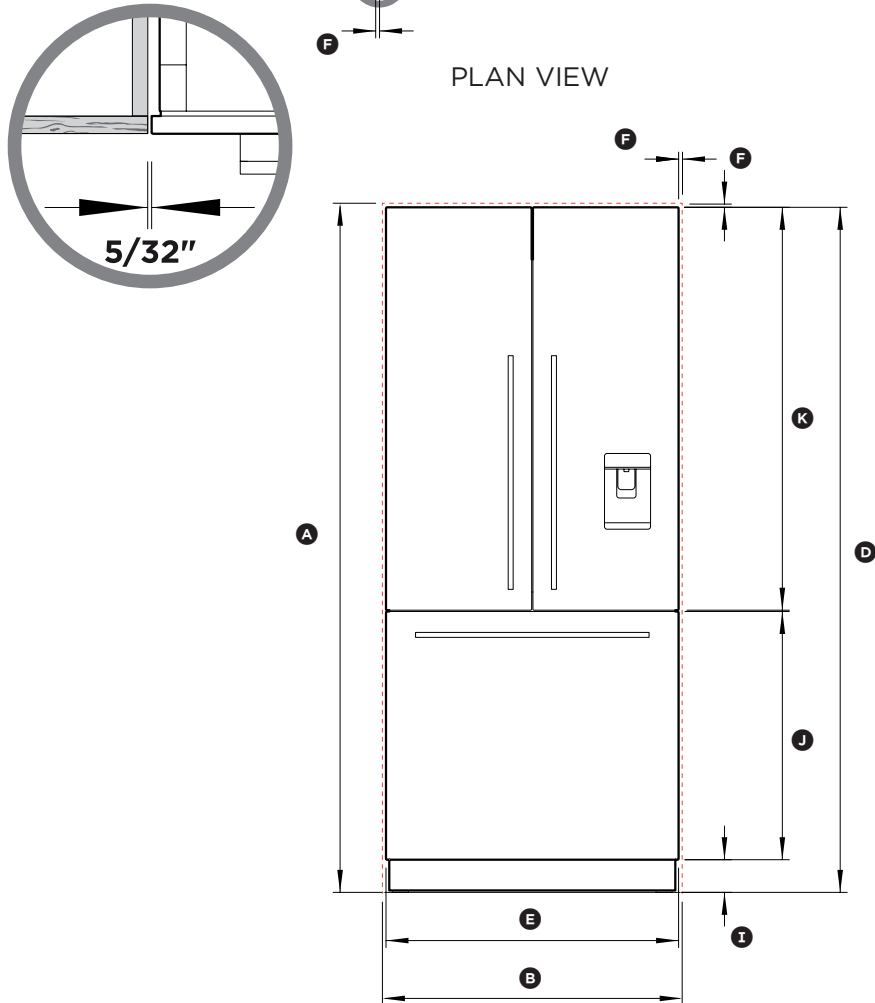
INDICATES CAVITY CLEARANCES -----

DATE: 14.10.2015

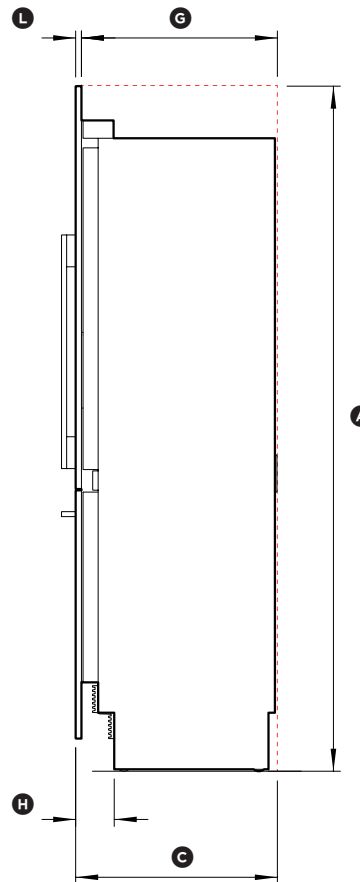
IMPORTANT NOTE: Throughout this guide, dimensions may vary by ±2mm (3/32"). Please read the installation manual for detailed information on installing the product. www.fisherpaykel.com



PLAN VIEW



FRONT VIEW



PROFILE VIEW

PRODUCT & CAVITY DIMENSIONS

36" ActiveSmart™ Built-in Refrigerator

Model no:

RS36A80U1

(with Stainless Steel Door panels PART NO. RD3684U)

Cavity Dimensions	in
Ⓐ Overall height of cavity	84"
Ⓑ Overall width of cavity	36"
Ⓒ Overall depth of cavity	24 3/4"

Total front panel width with required gaps at sides = 36" (Ⓔ product width + 2 x Ⓕ cabinetry gaps).

Height of front panels with required gap above = 84" (Ⓒ product height + Ⓓ cabinetry gap).

Product Dimensions	in
Ⓓ Overall height of product*	83 7/8"
Ⓔ Overall width of product	35 11/16"
Ⓕ Minimum cabinetry gap clearance from edge of product	5/32"
Ⓒ Overall depth of product (excl. front door panels)	23 3/4"
Ⓗ Depth of toekick (measured from front of door panels)	4 3/4"
Ⓘ Height of toekick**	4"
Ⓙ Height of bottom drawer panel	30 3/8"
Ⓚ Height of top door panels	49 1/4"
Ⓛ Depth of product front panels (excludes handles)**	3/4"

* Includes mounted feet

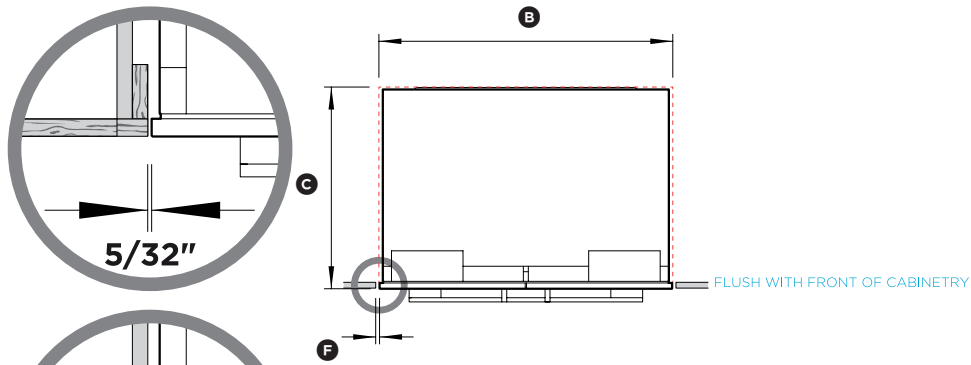
** Does not include custom toekick to be manufactured and fitted by cabinetmaker

*** Optional EZKleen Stainless Steel front panels - PART NO. RD3684U

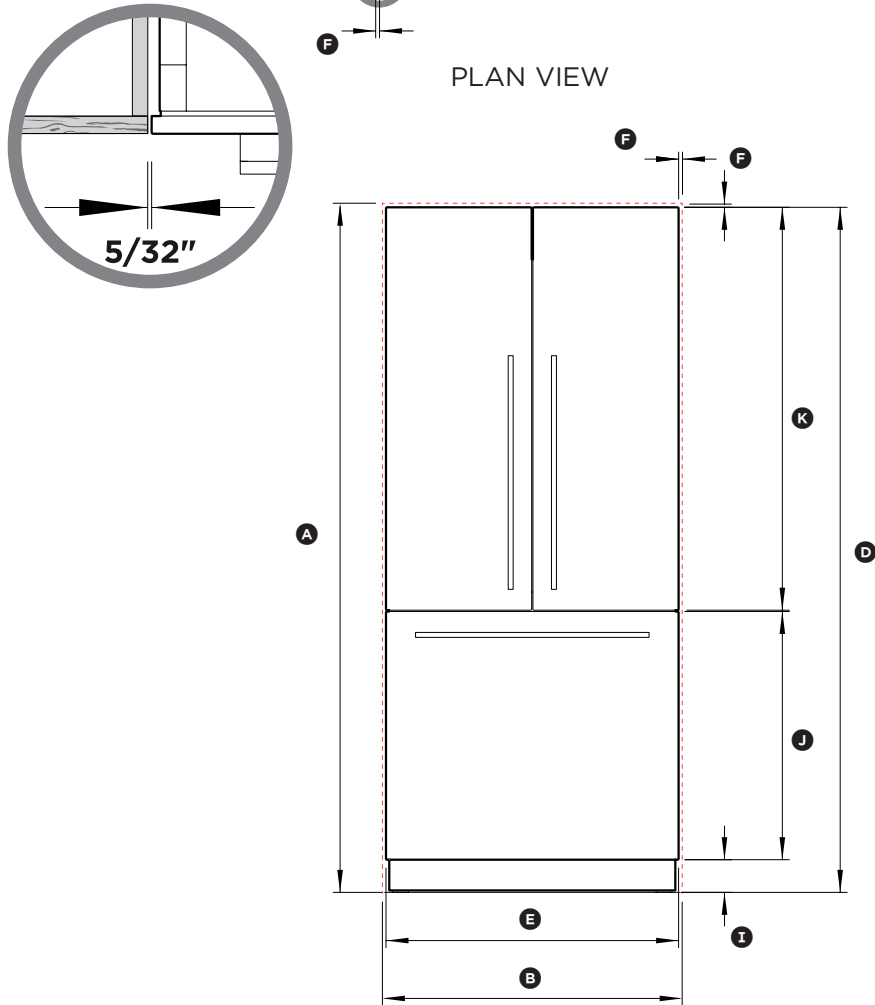
INDICATES CAVITY CLEARANCES -----

DATE: 14.10.2015

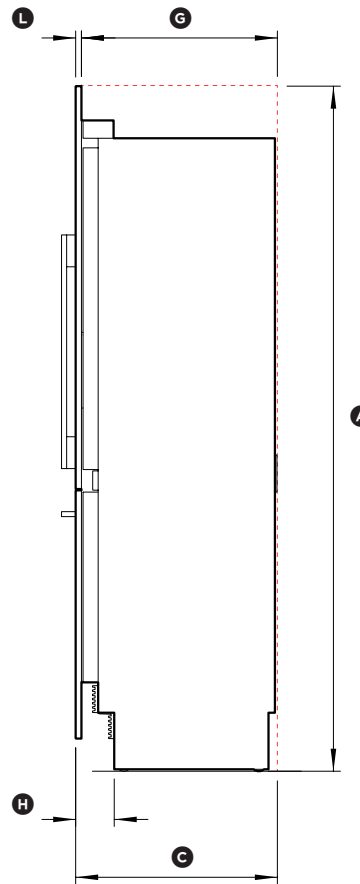
IMPORTANT NOTE: Throughout this guide, dimensions may vary by ±2mm (3/32"). Please read the installation manual for detailed information on installing the product. www.fisherpaykel.com



PLAN VIEW



FRONT VIEW



PROFILE VIEW

PRODUCT & CAVITY DIMENSIONS

36" ActiveSmart™ Built-in Refrigerator

Model no:

RS36A80J1

(with Stainless Steel Door panels PART NO. RD3684)

Cavity Dimensions	in
Ⓐ Overall height of cavity	84"
Ⓑ Overall width of cavity	36"
Ⓒ Overall depth of cavity	24 3/4"

Total front panel width with required gaps at sides = 36" (Ⓔ product width + 2 x Ⓒ cabinetry gaps).

Height of front panels with required gap above = 84" (Ⓓ product height + Ⓔ cabinetry gap).

Product Dimensions	in
Ⓓ Overall height of product*	83 7/8"
Ⓔ Overall width of product	35 11/16"
Ⓕ Minimum cabinetry gap clearance from edge of product	5/32"
Ⓒ Overall depth of product (excl. front door panels)	23 3/4"
Ⓖ Depth of toe-kick (measured from front of door panels)	4 3/4"
Ⓗ Height of toe-kick**	4"
Ⓖ Height of bottom drawer panel	30 3/8"
Ⓒ Height of top door panels	49 1/4"
Ⓖ Depth of product front panels (excludes handles)**	3/4"

* Includes mounted feet

** Does not include custom toe-kick to be manufactured and fitted by cabinetmaker

*** Optional EZKleen Stainless Steel front panels - PART NO. RD3684

INDICATES CAVITY CLEARANCES -----

DATE: 14.10.2015

IMPORTANT NOTE: Throughout this guide, dimensions may vary by ±2mm (3/32"). Please read the installation manual for detailed information on installing the product. www.fisherpaykel.com

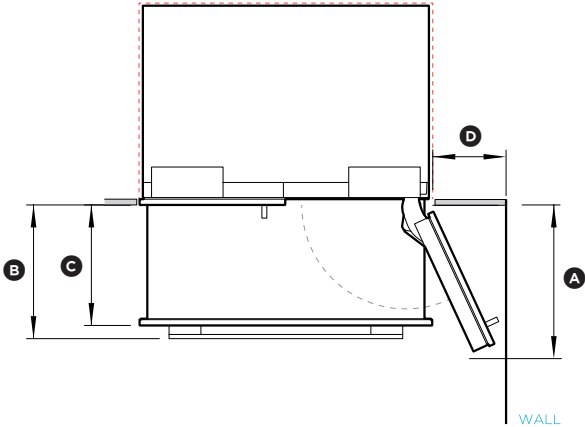
DOOR OPENING & CLEARANCE DIMENSIONS

36" ActiveSmart™ Built-in Refrigerator

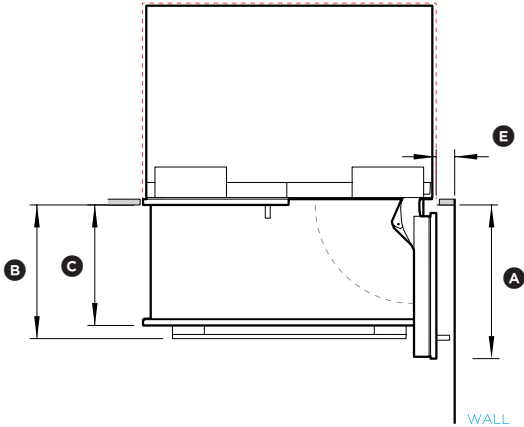
Model no:
RS36A80U1 (with Stainless Steel Door panels PART NO. RD3680U or PART NO. RD3684U)
RS36A80J1 (with Stainless Steel Door panels PART NO. RD3680 or PART NO. RD3684)

Door Opening & Clearance Dimensions	in
Ⓐ Depth of door (widest opening) measured from front of door	18 7/8"
Ⓑ Depth of drawer (open) measured from front of drawer, including handle	15 3/4"
Ⓒ Depth of drawer (open) measured from front of drawer, excluding handle	14 3/16"
Ⓓ Minimum door clearance to adjacent wall* (115° - full internal access)	12 3/8"
Ⓔ Minimum door clearance to adjacent wall* (90° - reduced internal access)	4 5/16"

* Measured from front cabinetry edge.



115° DOOR OPENING
 [FULL ROTATION]

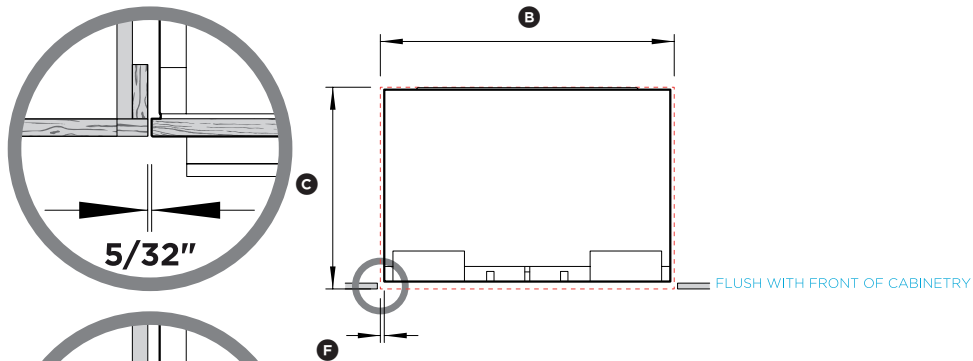


90° DOOR OPENING

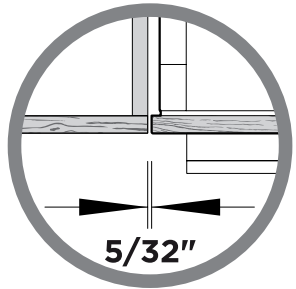
INDICATES CAVITY CLEARANCES -----

DATE: 14.10.2015

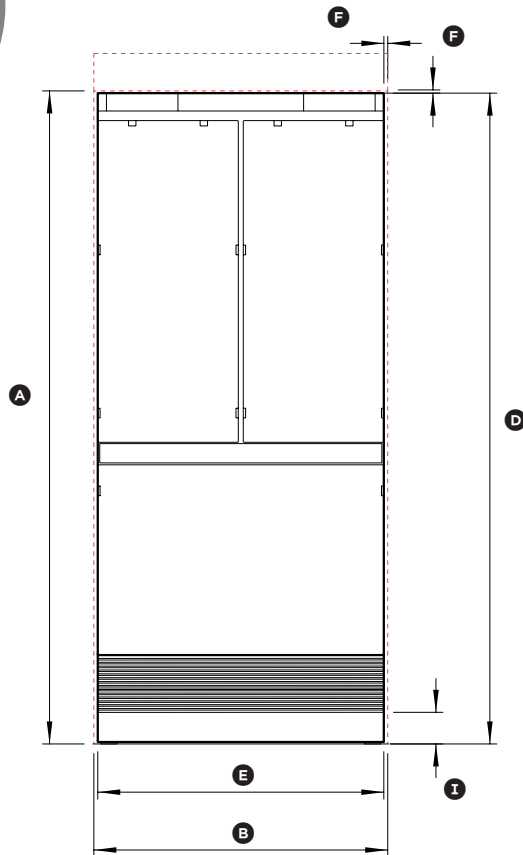
IMPORTANT NOTE: Throughout this guide, dimensions may vary by ±2mm (3/32"). Please read the installation manual for detailed information on installing the product. www.fisherpaykel.com



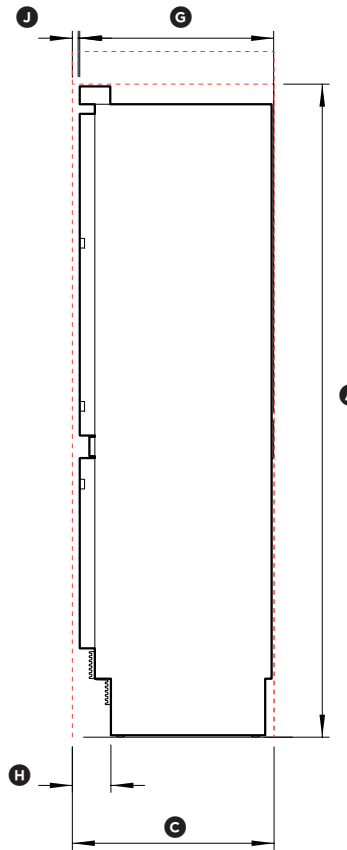
PLAN VIEW



Note: Shown with custom panel attached to fridge



FRONT VIEW



PROFILE VIEW

PRODUCT & CAVITY DIMENSIONS

36" ActiveSmart™ Built-in Refrigerator

Model no:
RS36A80J1

Cavity Dimensions	in
Ⓐ Overall height of cavity	80"/84"
Ⓑ Overall width of cavity	36"
Ⓒ Overall depth of cavity*	24 3/4"

Total front panel width with required gaps at sides = 36" (Refer custom panel dimensions page 11 - panel width + 2 x Ⓕ cabinetery gaps).

* Assumes a door panel thickness of 3/4".

Product Dimensions	in
Ⓓ Overall height of product*	79 13/16"
Ⓔ Overall width of product	35 1/16"
Ⓕ Minimum cabinetery gap clearance from edge of custom panels**	5/32"
Ⓖ Overall depth of product (excl. front door panels)	23 3/4"
Ⓗ Depth of toe kick (measured from front of door panels***)	4 3/4"
Ⓘ Height of toe kick*	4" - 6"
Ⓚ Depth of product front panels (excludes handles)***	3/4"

* Includes mounted feet

** For custom panel dimensions refer to page 11

*** Door panels and toe kick to be manufactured and fitted by cabinetmaker, door panel thickness min 5/8" - max 3/4"

INDICATES CAVITY CLEARANCES -----

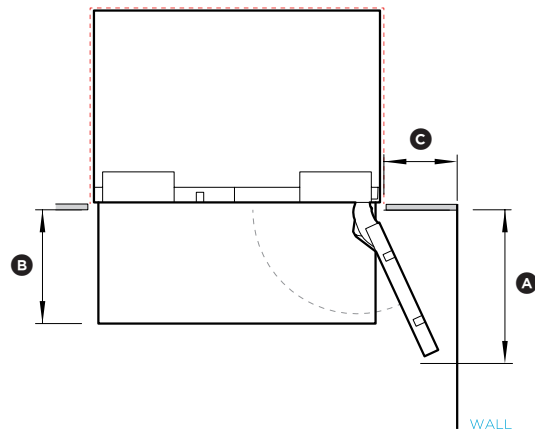
DATE: 14.10.2015

IMPORTANT NOTE: Throughout this guide, dimensions may vary by ±2mm (3/32"). Please read the installation manual for detailed information on installing the product. www.fisherpaykel.com

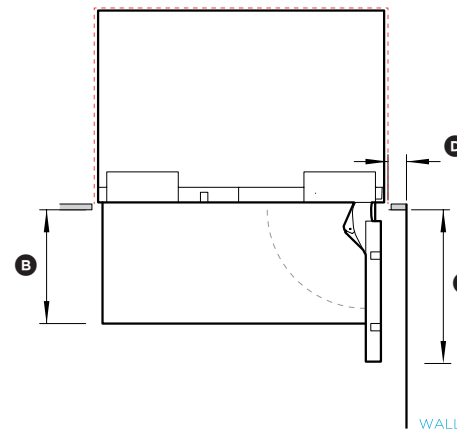
DOOR OPENING & CLEARANCE DIMENSIONS

36" ActiveSmart™ Built-in Refrigerator

Model no:
RS36A80J1



115° DOOR OPENING
[FULL ROTATION]



90° DOOR OPENING

Door Opening & Clearance Dimensions	in
Ⓐ Depth of door (widest opening) measured from front of door	18 7/8"
Ⓑ Depth of drawer (open) measured from front of cabinetry*	14 3/16"
Ⓒ Minimum door clearance** to adjacent wall* (115° - full internal access)	12 3/8"
Ⓓ Minimum door clearance** to adjacent wall* (90° - reduced internal access)*	4 5/16"

* Does not include the custom door panels or handles to be manufactured and fitted by cabinetmaker.

** Measured from front cabinetry edge.

INDICATES CAVITY CLEARANCES -----

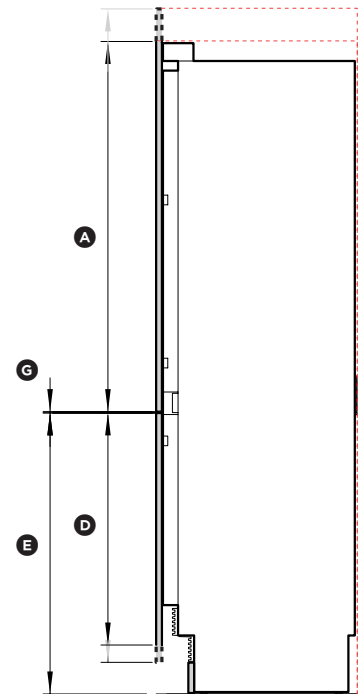
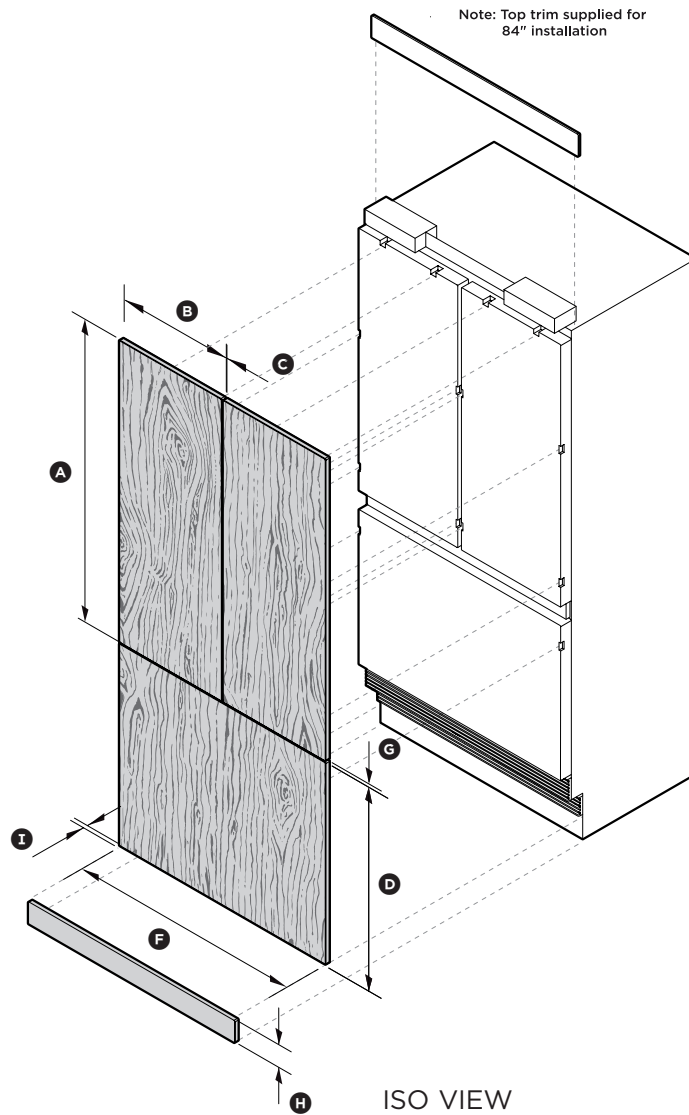
DATE: 14.10.2015

IMPORTANT NOTE: Throughout this guide, dimensions may vary by $\pm 2\text{mm}$ ($3/32''$). Please read the installation manual for detailed information on installing the product. www.fisherpaykel.com

CUSTOM PANEL DIMENSIONS

36" ActiveSmart™ Built-in Refrigerator

Model no:
RS36A80J1



Custom Panel Dimensions	in
Ⓐ Height of top door panel	45 1/4" - 49 5/16"
Ⓑ Width of top door panel	17 3/4"
Ⓒ Gap between top door panels	5/32"
Ⓓ Height of bottom drawer panel*	28 7/16" 30 3/8"
Ⓔ Height from bottom of product to top of bottom drawer panel	34 7/16"
Ⓕ Width of bottom drawer panel	35 11/16"
Ⓖ Gap between top door panels and bottom drawer panel	5/32"
Ⓗ Height of toe-kick panel*	4" - 6"
Ⓘ Depth of custom panels	min 5/8" max 3/4"
Maximum weight of an individual top door panel**	22 pounds
Maximum weight of bottom drawer panel**	24 1/4 pounds

Custom door panels, toe-kick and handles to be manufactured and fitted by cabinetmaker.

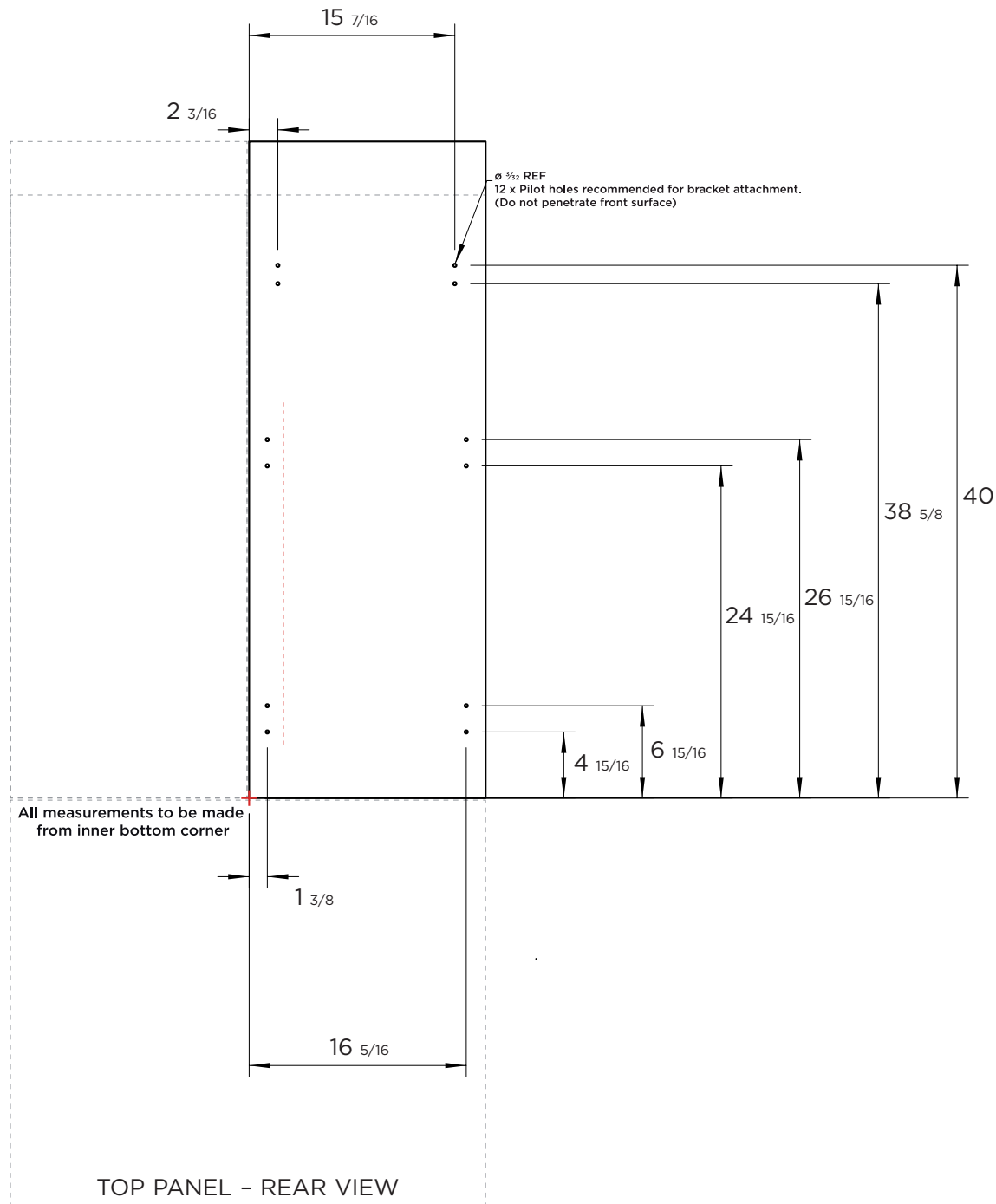
* The bottom grille can be reduced to allow for a higher toe-kick. Adjust the height of the bottom drawer panel accordingly.

** Includes weight of handle.

INDICATES CAVITY CLEARANCES -----

DATE: 14.10.2015

IMPORTANT NOTE: Throughout this guide, dimensions may vary by ±2mm (3/32"). Please read the installation manual for detailed information on installing the product. www.fisherpaykel.com



CUSTOM PANEL PREPARATIONS

36" ActiveSmart™ Built-in Refrigerator

Model no:
RS36A80J1

Custom Panel Preparation

Dimensions are shown in Imperial (in)

Dimensions apply for the preparation and installation of custom panels

Custom panels are for non-Ice & Water models only

For the second panel mirror and repeat dimensions using inner bottom corner as the reference point

Handles

Ensure handle is mounted 2 9/16" mm from inner edge of panel to the centre - this will avoid interference with brackets. (Refer red dash line)

Dwg & Dxf Files

Dwg and Dxf files of the panel preparation are available within the download folder for this product and can be found on <http://thekitchentools.fisherpaykel.com>

DATE: 14.10.2015

IMPORTANT NOTE: Throughout this guide, dimensions may vary by ±2mm (3/32"). Please read the installation manual for detailed information on installing the product. www.fisherpaykel.com

CUSTOM PANEL PREPARATIONS

36" ActiveSmart™ Built-in Refrigerator

Model no:
RS36A80J1

Custom Panel Preparation

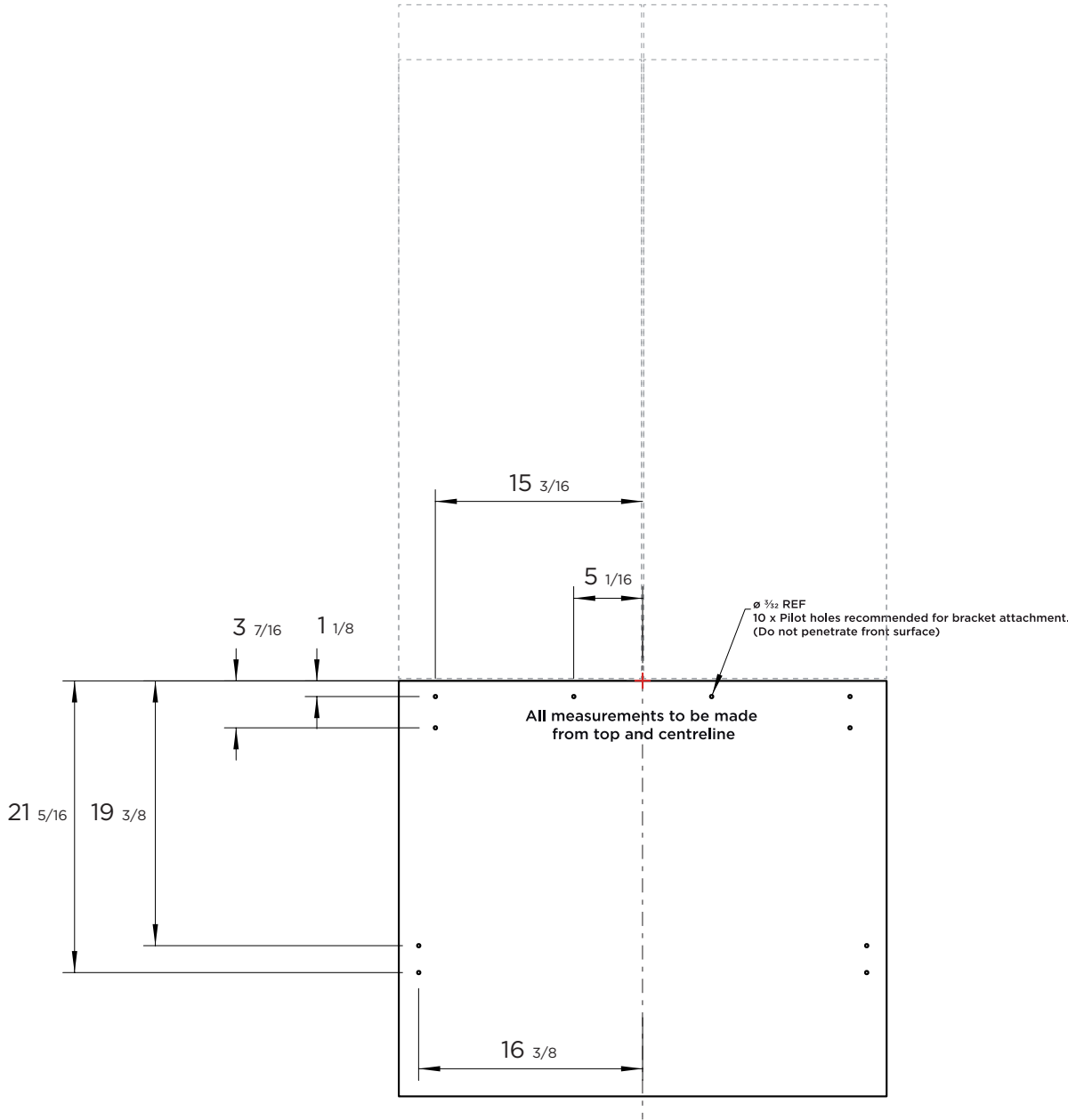
Dimensions are shown in Imperial (in)
 Dimensions apply for the preparation and installation of custom panels
 Custom panels are for non-Ice & Water models only

Handles

Ensure handle screw heads are counter sunk into back of panel to avoid interfering with hanging bracket

Dwg & Dxf Files

Dwg and Dxf files of the panel preparation are available within the download folder for this product and can be found on <http://thekitchentools.fisherpaykel.com>



BOTTOM PANEL - REAR VIEW

DATE: 14.10.2015

IMPORTANT NOTE: Throughout this guide, dimensions may vary by $\pm 2\text{mm}$ ($3/32$ ""). Please read the installation manual for detailed information on installing the product. www.fisherpaykel.com

CAVITY PREPARATION - FRAMELESS

36" ActiveSmart™ Built-in Refrigerator

Model no:

RS36A80U1 (with Stainless Steel Door panels PART NO. RD3680U or PART NO. RD3684U)
RS36A80J1 (with Stainless Steel Door panels PART NO. RD3680 or PART NO. RD3684)
RS36A80J1

Cavity Dimensions	in
Ⓐ Overall height of cavity	80"/84"
Ⓑ Overall width of cavity	36"
Ⓒ Overall depth of cavity	24 3/4"

Specifications

Electrical

Supply 115 VAC, 60 Hz

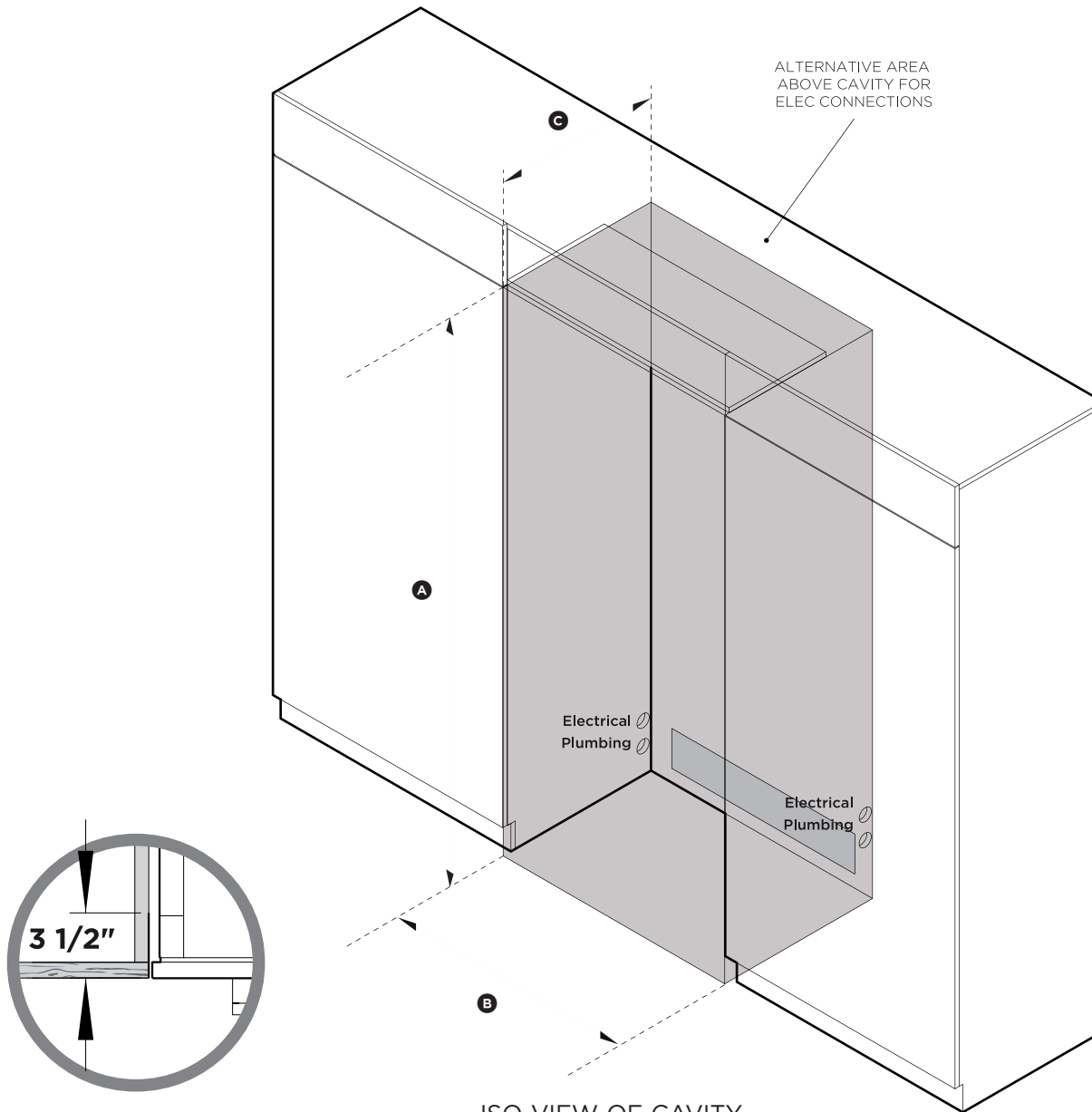
Service 10 amp circuit

Plumbing

Supply 1/4" (6mm) comp. stainless steel braided hose

Pressure min 22 psi (150 kPa)
 max 120 psi (827 kPa) @ 68°F (20°C)

NOTE: Electrical connection can be located an adjacent cabinet to either side of the fridge or above the fridge cavity.



ISO VIEW OF CAVITY

Frameless: Finished return, sides and top

DATE: 14.10.2015

IMPORTANT NOTE: Throughout this guide, dimensions may vary by ±2mm (3/32"). Please read the installation manual for detailed information on installing the product. www.fisherpaykel.com

CAVITY PREPARATION - FRAMED

36" ActiveSmart™ Built-in Refrigerator

Model no:

RS36A80U1 (with Stainless Steel Door panels PART NO. RD3680U or PART NO. RD3684U)
RS36A80J1 (with Stainless Steel Door panels PART NO. RD3680 or PART NO. RD3684)
RS36A80J1

Cavity Dimensions	in
Ⓐ Overall height of cavity	80"/84"
Ⓑ Overall width of cavity	36"
Ⓒ Overall depth of cavity	24 3/4"

Specifications

Electrical

Supply 115 VAC, 60 Hz

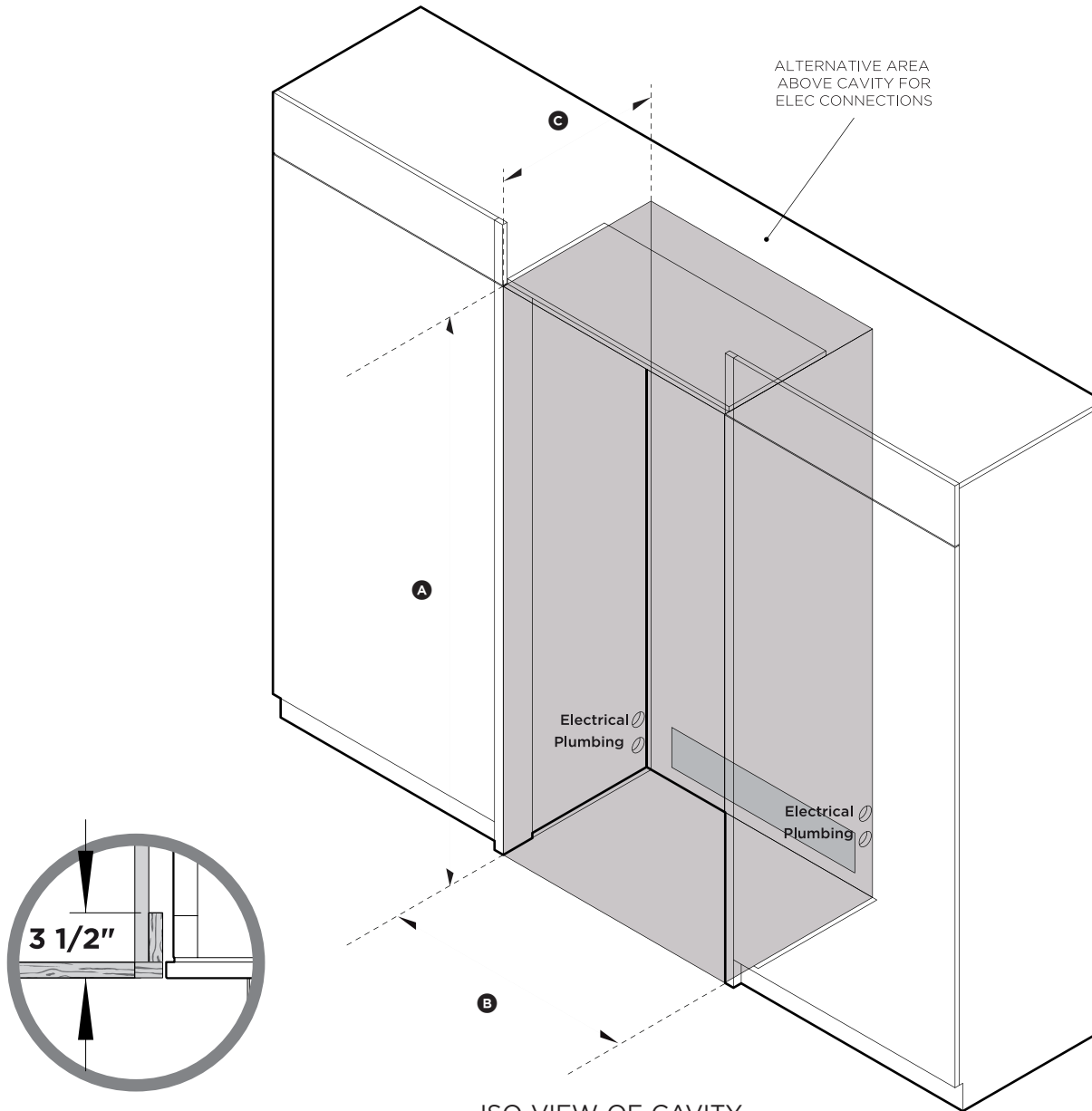
Service 10 amp circuit

Plumbing

Supply 1/4" (6mm) comp. stainless steel braided hose

Pressure min 22 psi (150 kPa)
 max 120 psi (827 kPa) @ 68°F (20°C)

NOTE: Electrical connection can be located an adjacent cabinet to either side of the fridge or above the fridge cavity.



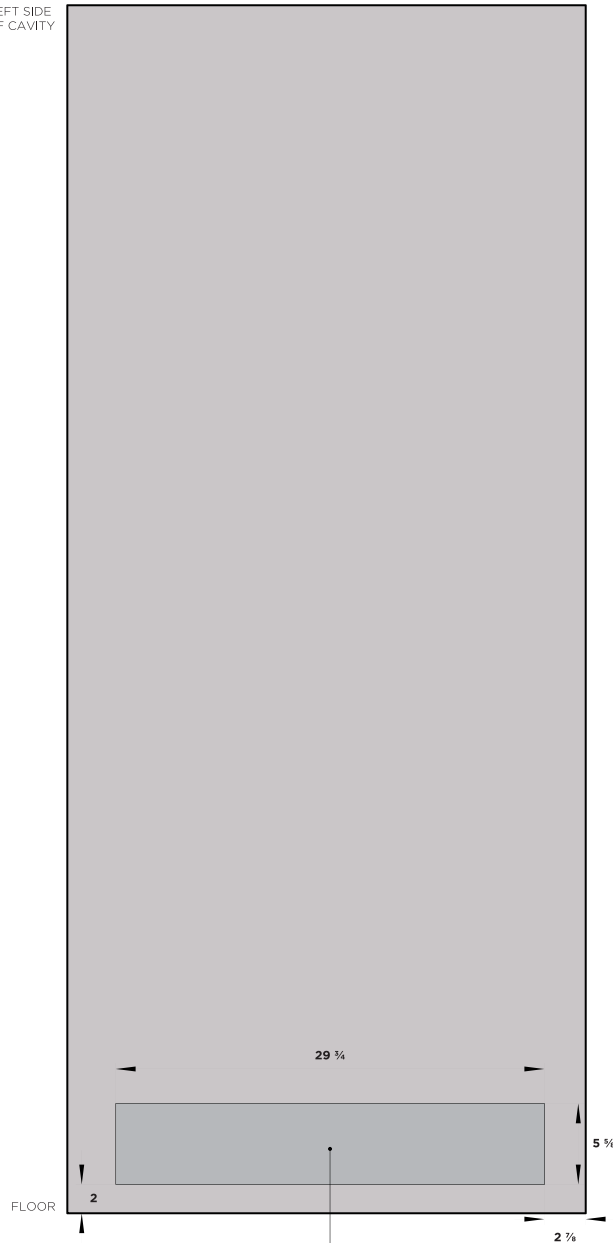
Framed: Finished return, sides and top

DATE: 14.10.2015

IMPORTANT NOTE: Throughout this guide, dimensions may vary by ±2mm (3/32"). Please read the installation manual for detailed information on installing the product. www.fisherpaykel.com

Fisher & Paykel

LEFT SIDE
OF CAVITY



REAR OF CAVITY

ELECTRICAL AND WATER CONNECTIONS
MUST BE WITHIN THIS SPACE IF LOCATED
BEHIND THE REFRIGERATOR

CAVITY PREPARATION

36" ActiveSmart™ Built-in Refrigerator

Model no:

RS36A80U1 (with Stainless Steel Door panels PART NO.

RD3680U or PART NO. RD3684U)

RS36A80J1 (with Stainless Steel Door panels PART NO. RD3680

or PART NO. RD3684)

RS36A80J1

Cavity Dimensions	in
Ⓐ Overall height of cavity	80"/84"
Ⓑ Overall width of cavity	36"
Ⓒ Overall depth of cavity	24 3/4"

Specifications

Electrical

Supply 115 VAC, 60 Hz

Service 10 amp circuit

Plumbing

Supply 1/4" (6mm) comp. stainless steel braided hose

Pressure min 22 psi (150 kPa)
max 120 psi (827 kPa) @ 68°F (20°C)

NOTE: Electrical connection can be located an adjacent cabinet to either side of the fridge or above the fridge cavity.

DATE: 14.10.2015

IMPORTANT NOTE: Throughout this guide, dimensions may vary by ±2mm (3/32"). Please read the installation manual for detailed information on installing the product. www.fisherpaykel.com

Fisher & Paykel

MAX DISTANCE OF HOSE & CORD

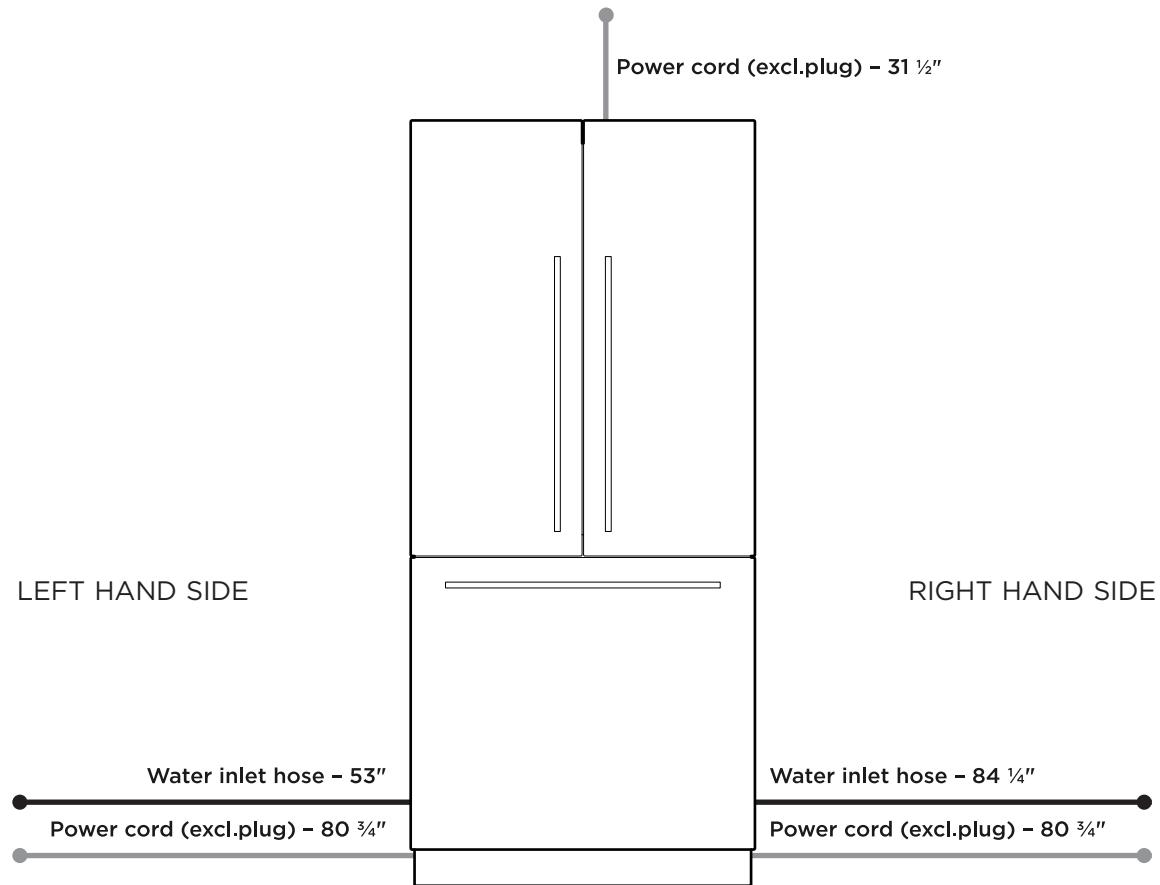
36" ActiveSmart™ Built-in Refrigerator

Model no:

RS36A80U1 (with Stainless Steel Door panels PART NO. RD3680U or PART NO. RD3684U)

RS36A80J1 (with Stainless Steel Door panels PART NO. RD3680 or PART NO. RD3684)

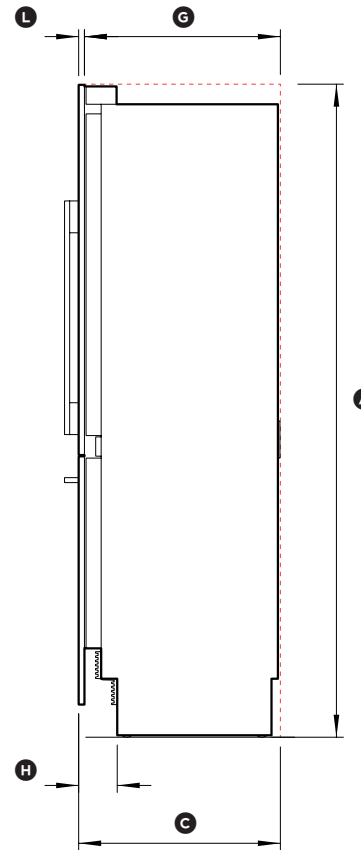
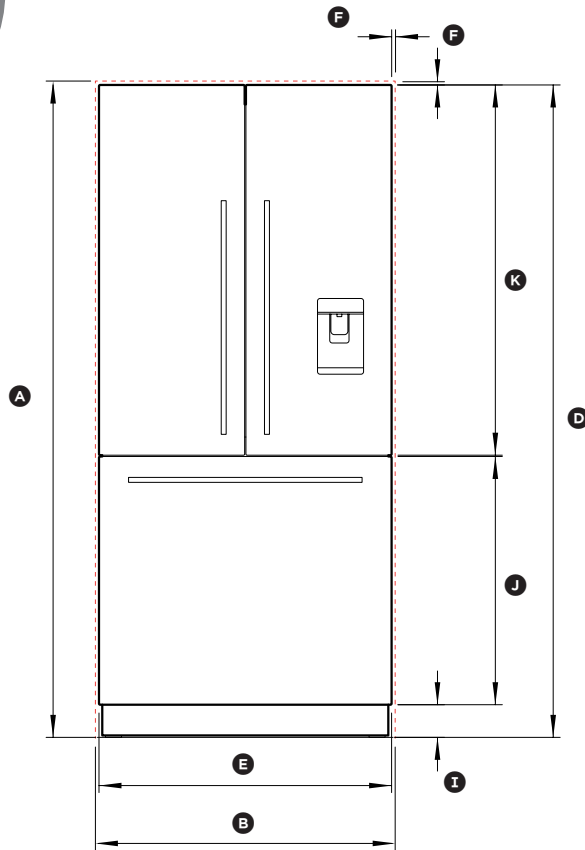
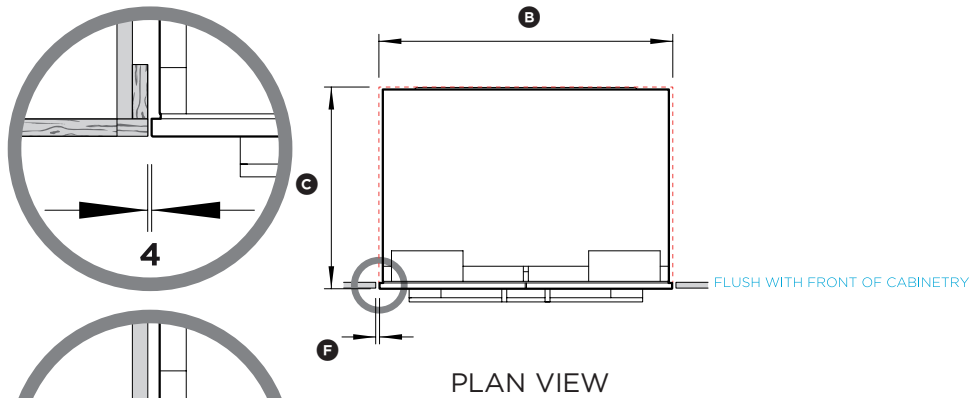
RS36A80J1



DATE: 14.10.2015

IMPORTANT NOTE: Throughout this guide, dimensions may vary by ±2mm (3/32"). Please read the installation manual for detailed information on installing the product. www.fisherpaykel.com

METRIC



PRODUCT & CAVITY DIMENSIONS

36" ActiveSmart™ Built-in Refrigerator

Model no:

RS36A80U1

(with Stainless Steel Door panels PART NO. RD3680U)

Cavity Dimensions	mm
Ⓐ Overall height of cavity	2032
Ⓑ Overall width of cavity	914
Ⓒ Overall depth of cavity	629

Total front panel width with required gaps at sides = 914 (Ⓔ product width + 2 x Ⓒ cabinetry gaps).

Height of front panels with required gap above = 2032 (Ⓐ product height + Ⓒ cabinetry gap).

Product Dimensions	mm
Ⓓ Overall height of product*	2028
Ⓔ Overall width of product	906
Ⓕ Minimum cabinetry gap clearance from edge of product	4
Ⓖ Overall depth of product (excl. front door panels)	603
Ⓗ Depth of toekick (measured from front of door panels)	120
Ⓘ Height of toekick**	102
Ⓛ Height of bottom drawer panel	772
Ⓜ Height of top door panels	1150
Ⓨ Depth of product front panels (excludes handles)**	19

* Includes mounted feet

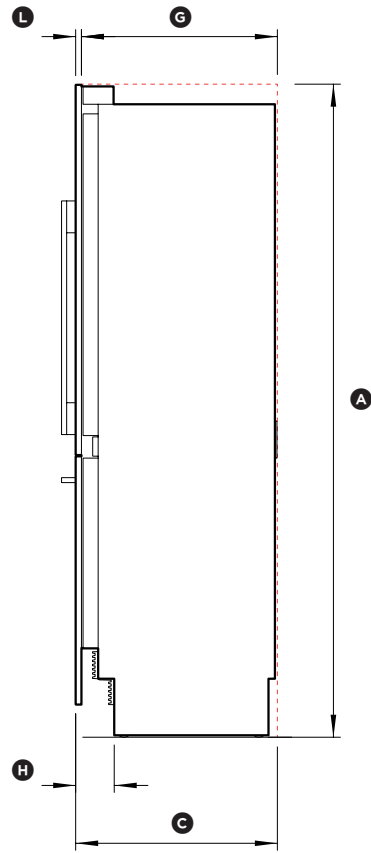
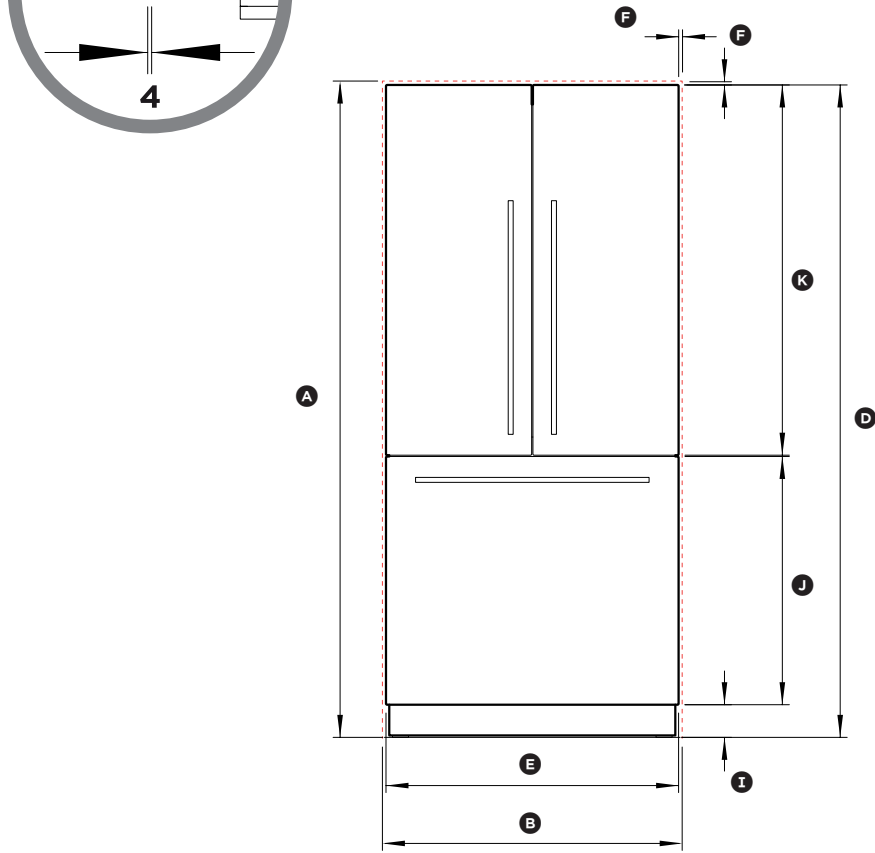
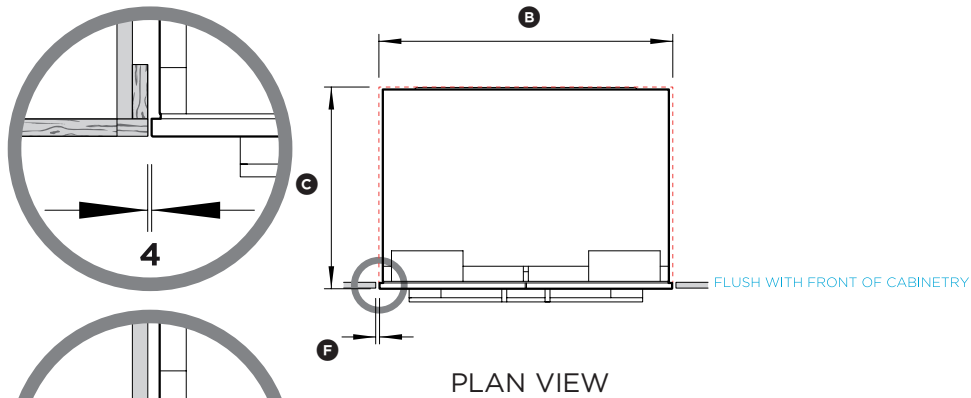
** Does not include custom toekick to be manufactured and fitted by cabinetmaker

*** Optional EZKleen Stainless Steel front panels - PART NO. RD3680U

INDICATES CAVITY CLEARANCES - - - - -

DATE: 14.10.2015

IMPORTANT NOTE: Throughout this guide, dimensions may vary by ±2mm (3/32"). Please read the installation manual for detailed information on installing the product. www.fisherpaykel.com



PRODUCT & CAVITY DIMENSIONS

36" ActiveSmart™ Built-in Refrigerator

Model no:

RS36A80J1

(with Stainless Steel Door panels PART NO. RD3680)

Cavity Dimensions	mm
Ⓐ Overall height of cavity	2032
Ⓑ Overall width of cavity	914
Ⓒ Overall depth of cavity	629

Total front panel width with required gaps at sides = 914 (Ⓔ product width + 2 x Ⓒ cabinetry gaps).

Height of front panels with required gap above = 2032 (Ⓒ product height + Ⓒ cabinetry gap).

Product Dimensions	mm
Ⓓ Overall height of product*	2028
Ⓔ Overall width of product	906
Ⓕ Minimum cabinetry gap clearance from edge of product	4
Ⓖ Overall depth of product (excl. front door panels)	603
Ⓗ Depth of toekick (measured from front of door panels)	120
Ⓘ Height of toekick**	102
Ⓛ Height of bottom drawer panel	772
Ⓜ Height of top door panels	1150
Ⓨ Depth of product front panels (excludes handles)**	19

* Includes mounted feet

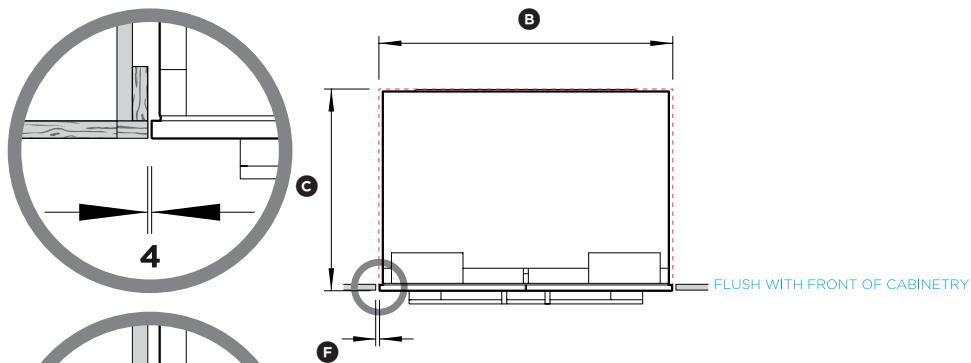
** Does not include custom toekick to be manufactured and fitted by cabinetmaker

*** Optional EZKleen Stainless Steel front panels - PART NO. RD3680

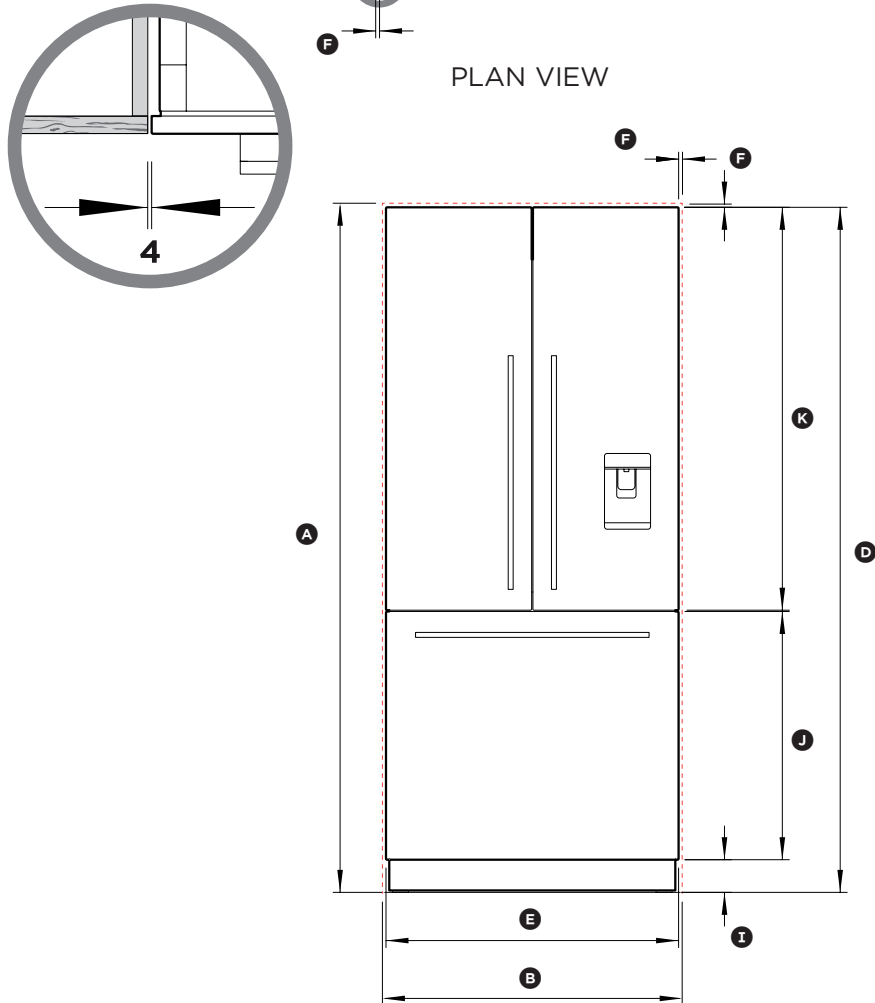
INDICATES CAVITY CLEARANCES - - - - -

DATE: 14.10.2015

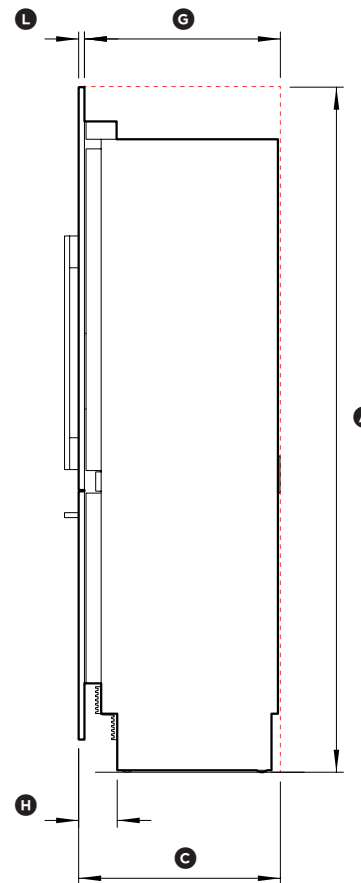
IMPORTANT NOTE: Throughout this guide, dimensions may vary by ±2mm (3/32"). Please read the installation manual for detailed information on installing the product. www.fisherpaykel.com



PLAN VIEW



FRONT VIEW



PROFILE VIEW

PRODUCT & CAVITY DIMENSIONS

36" ActiveSmart™ Built-in Refrigerator

Model no:

RS36A80U1

(with Stainless Steel Door panels PART NO. RD3684U)

Cavity Dimensions	mm
Ⓐ Overall height of cavity	2134
Ⓑ Overall width of cavity	914
Ⓒ Overall depth of cavity	629

Total front panel width with required gaps at sides = 914 (Ⓔ product width + 2 x Ⓒ cabinetry gaps).

Height of front panels with required gap above = 2134 (Ⓓ product height + Ⓔ cabinetry gap).

Product Dimensions	mm
Ⓓ Overall height of product*	2130
Ⓔ Overall width of product	906
Ⓕ Minimum cabinetry gap clearance from edge of product	4
Ⓒ Overall depth of product (excl. front door panels)	603
Ⓗ Depth of toekick (measured from front of door panels)	120
Ⓘ Height of toekick**	102
Ⓙ Height of bottom drawer panel	772
Ⓚ Height of top door panels	1252
Ⓛ Depth of product front panels (excludes handles)**	19

* Includes mounted feet

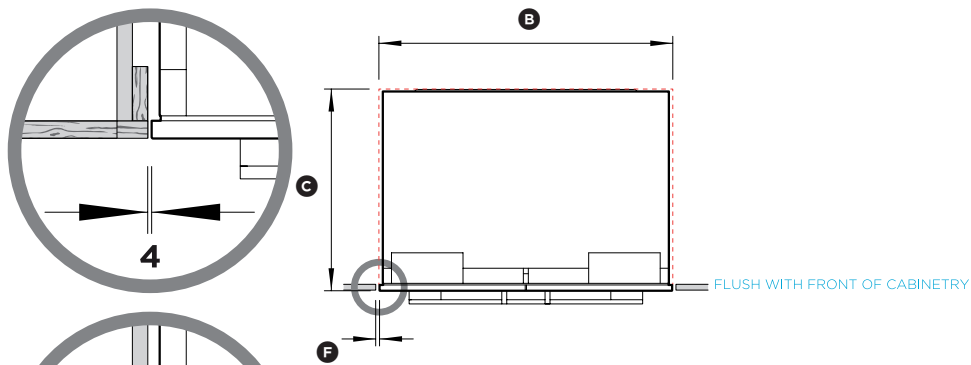
** Does not include custom toekick to be manufactured and fitted by cabinetmaker

*** Optional EZKleen Stainless Steel front panels - PART NO. RD3684U

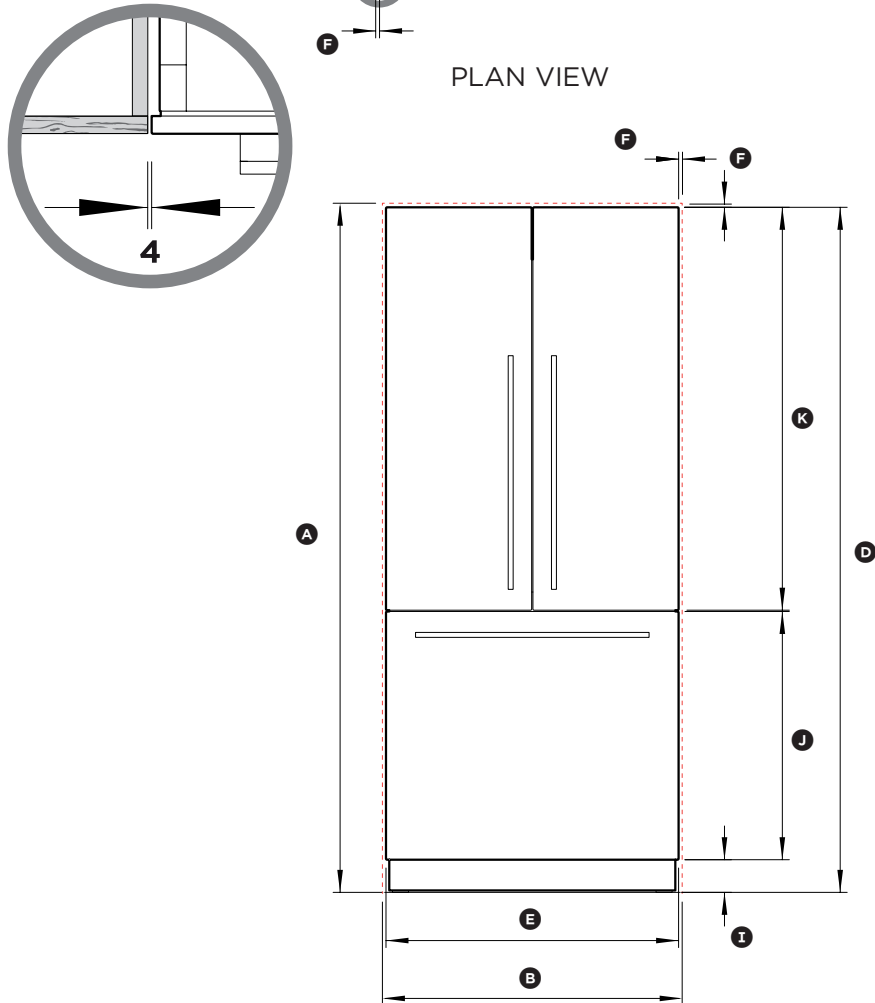
INDICATES CAVITY CLEARANCES - - - - -

DATE: 14.10.2015

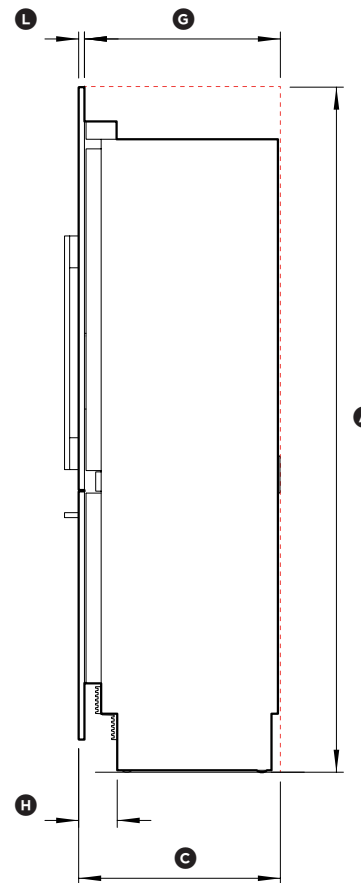
IMPORTANT NOTE: Throughout this guide, dimensions may vary by ±2mm (3/32"). Please read the installation manual for detailed information on installing the product. www.fisherpaykel.com



PLAN VIEW



FRONT VIEW



PROFILE VIEW

PRODUCT & CAVITY DIMENSIONS

36" ActiveSmart™ Built-in Refrigerator

Model no:

RS36A80J1

(with Stainless Steel Door panels PART NO. RD3684)

Cavity Dimensions	mm
Ⓐ Overall height of cavity	2134
Ⓑ Overall width of cavity	914
Ⓒ Overall depth of cavity	629

Total front panel width with required gaps at sides = 914 (Ⓔ product width + 2 x Ⓒ cabinetry gaps).

Height of front panels with required gap above = 2134 (Ⓓ product height + Ⓕ cabinetry gap).

Product Dimensions	mm
Ⓓ Overall height of product*	2130
Ⓔ Overall width of product	906
Ⓖ Minimum cabinetry gap clearance from edge of product	4
Ⓒ Overall depth of product (excl. front door panels)	603
Ⓗ Depth of toe kick (measured from front of door panels)	120
Ⓘ Height of toe kick**	102
Ⓙ Height of bottom drawer panel	772
Ⓚ Height of top door panels	1252
Ⓛ Depth of product front panels (excludes handles)**	19

* Includes mounted feet

** Does not include custom toe kick to be manufactured and fitted by cabinetmaker

*** Optional EZKleen Stainless Steel front panels - PART NO. RD3684

INDICATES CAVITY CLEARANCES - - - - -

DATE: 14.10.2015

IMPORTANT NOTE: Throughout this guide, dimensions may vary by ±2mm (3/32"). Please read the installation manual for detailed information on installing the product. www.fisherpaykel.com

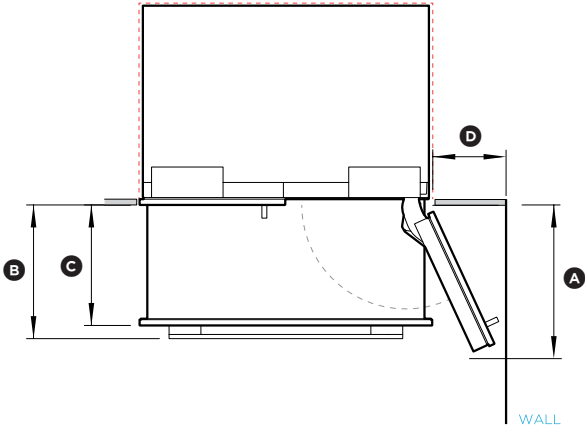
DOOR OPENING & CLEARANCE DIMENSIONS

36" ActiveSmart™ Built-in Refrigerator

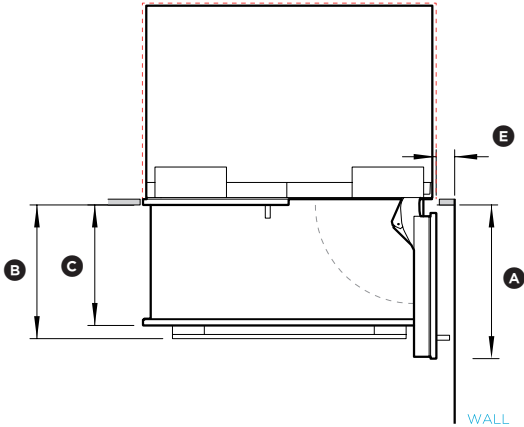
Model no:
RS36A80U1 (with Stainless Steel Door panels PART NO. RD3680U or PART NO. RD3684U)
RS36A80J1 (with Stainless Steel Door panels PART NO. RD3680 or PART NO. RD3684)

Door Opening & Clearance Dimensions	mm
Ⓐ Depth of door (widest opening) measured from front of door	480
Ⓑ Depth of drawer (open) measured from front of drawer, including handle	400
Ⓒ Depth of drawer (open) measured from front of drawer, excluding handle	360
Ⓓ Minimum door clearance to adjacent wall* (115° - full internal access)	315
Ⓔ Minimum door clearance to adjacent wall* (90° - reduced internal access)	110

* Measured from front cabinetry edge.



115° DOOR OPENING
 [FULL ROTATION]

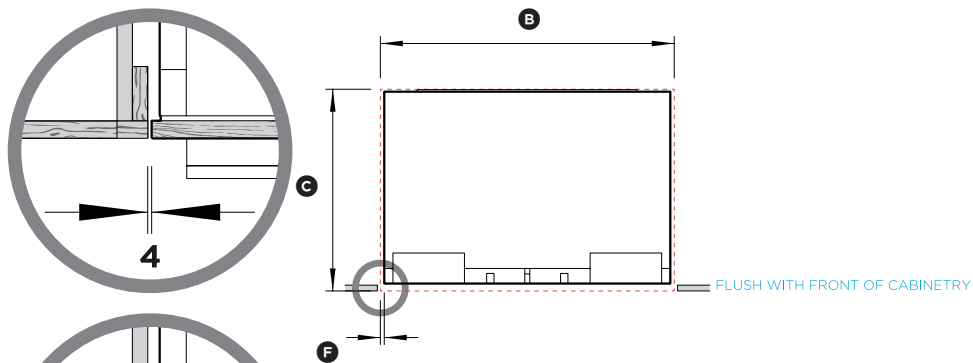


90° DOOR OPENING

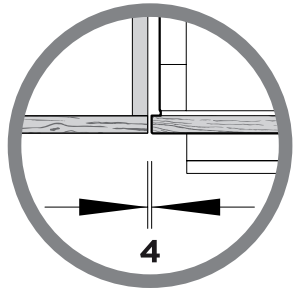
INDICATES CAVITY CLEARANCES -----

DATE: 14.10.2015

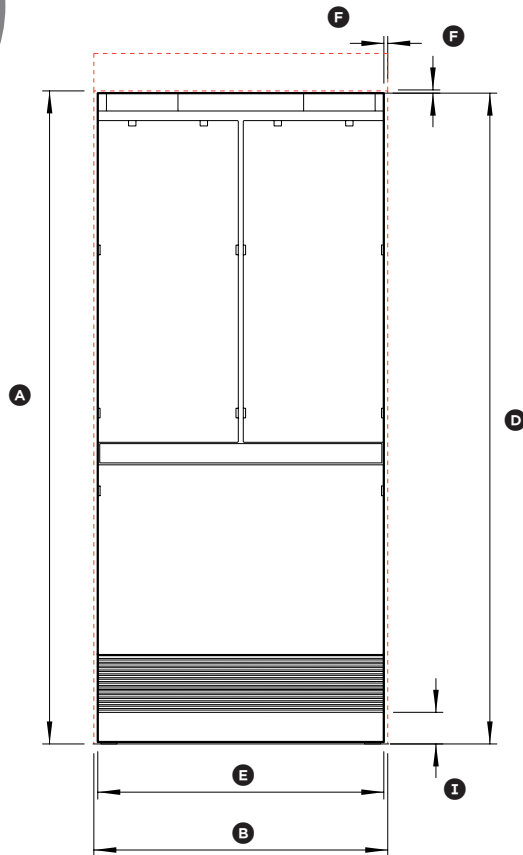
IMPORTANT NOTE: Throughout this guide, dimensions may vary by ±2mm (3/32"). Please read the installation manual for detailed information on installing the product. www.fisherpaykel.com



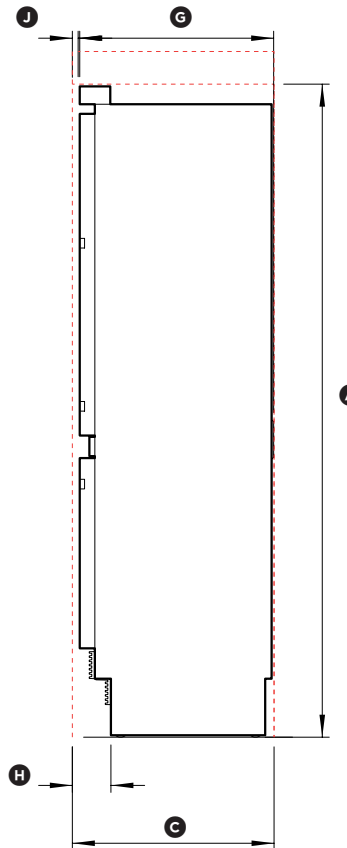
PLAN VIEW



Note: Shown with custom panel attached to fridge



FRONT VIEW



PROFILE VIEW

PRODUCT & CAVITY DIMENSIONS

36" ActiveSmart™ Built-in Refrigerator

Model no:
RS36A80J1

Cavity Dimensions	mm
Ⓐ Overall height of cavity	2032 /2134
Ⓑ Overall width of cavity	914
Ⓒ Overall depth of cavity	629

Total front panel width with required gaps at sides = 914mm (Refer custom panel dimensions page 25 – panel width + 2 x Ⓐ cabinetry gaps).

* Assumes a door panel thickness of 19.

Product Dimensions	mm
Ⓐ Overall height of product*	2028
Ⓑ Overall width of product	890
Ⓒ Minimum cabinetry gap clearance from edge of custom panels**	4
Ⓓ Overall depth of product (excl. front door panels)	603
Ⓔ Depth of toekick (measured from front of door panels***)	120
Ⓕ Height of toekick*	102 - 152
Ⓖ Depth of product front panels (excludes handles)***	19

* Includes mounted feet

** For custom panel dimensions refer to page 25

*** Door panels and toekick to be manufactured and fitted by cabinetmaker, door panel thickness min 16 – max 19mm

INDICATES CAVITY CLEARANCES -----

DATE: 14.10.2015

IMPORTANT NOTE: Throughout this guide, dimensions may vary by ±2mm (3/32"). Please read the installation manual for detailed information on installing the product. www.fisherpaykel.com

DOOR OPENING & CLEARANCE DIMENSIONS

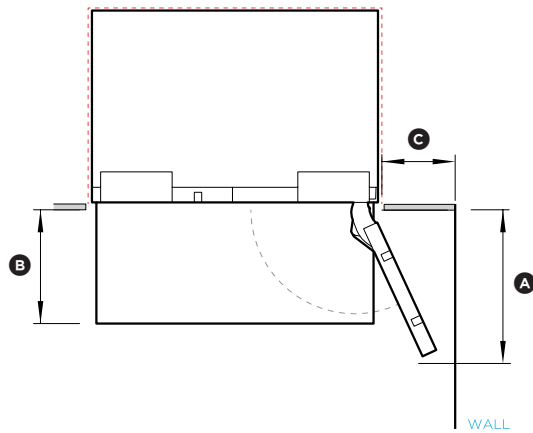
36" ActiveSmart™ Built-in Refrigerator

Model no:
RS36A80J1

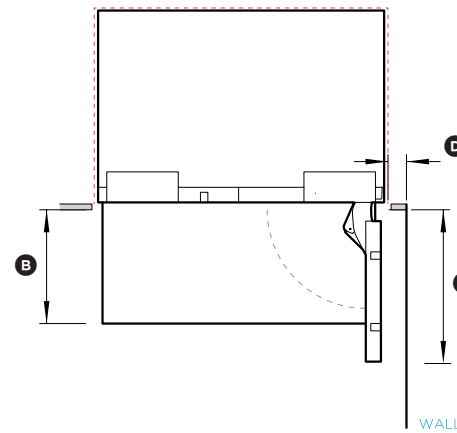
Door Opening & Clearance Dimensions	mm
Ⓐ Depth of door (widest opening) measured from front of door	480
Ⓑ Depth of drawer (open) measured from front of cabinetry*	360
Ⓒ Minimum door clearance** to adjacent wall* (115° - full internal access)	315
Ⓓ Minimum door clearance** to adjacent wall* (90° - reduced internal access)*	110

* Does not include the custom door panels or handles to be manufactured and fitted by cabinetmaker.

** Measured from front cabinetry edge.



115° DOOR OPENING
[FULL ROTATION]



90° DOOR OPENING

INDICATES CAVITY CLEARANCES -----

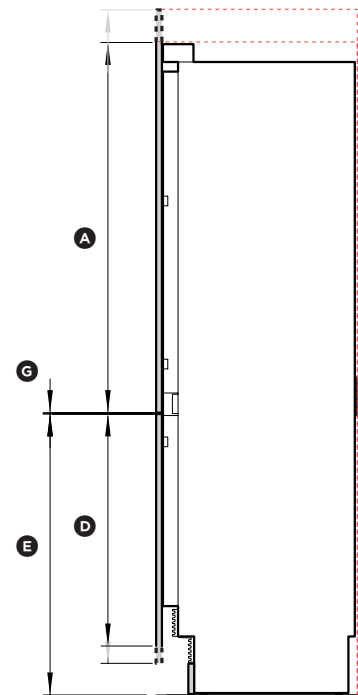
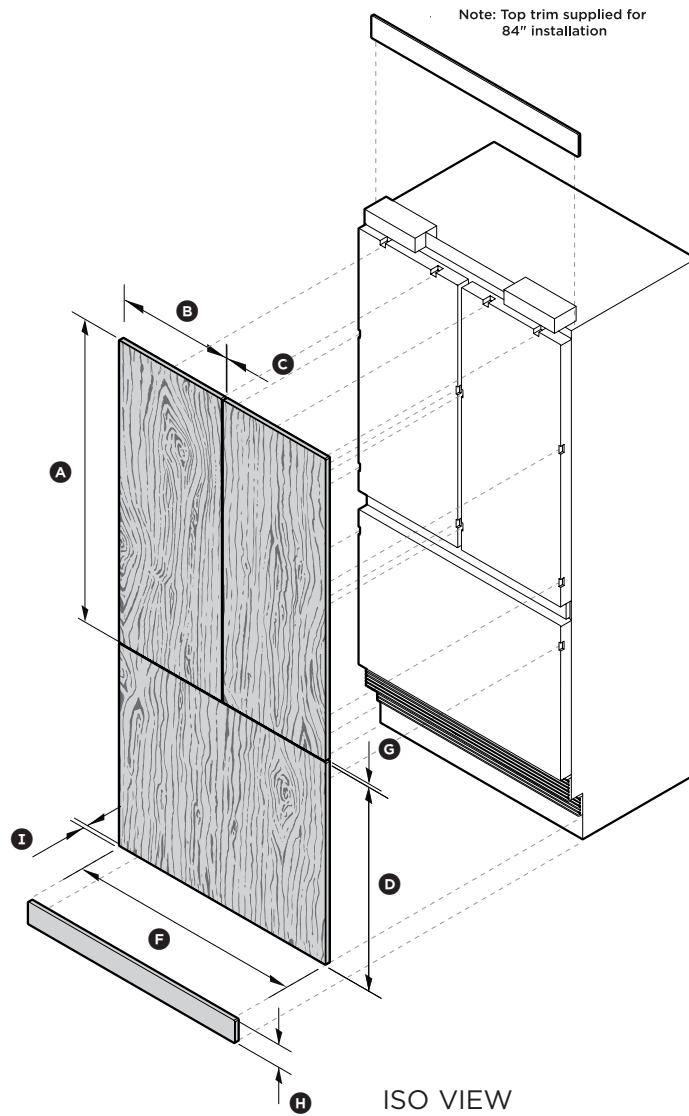
DATE: 14.10.2015

IMPORTANT NOTE: Throughout this guide, dimensions may vary by ±2mm (3/32"). Please read the installation manual for detailed information on installing the product. www.fisherpaykel.com

CUSTOM PANEL DIMENSIONS

36" ActiveSmart™ Built-in Refrigerator

Model no:
RS36A80J1



Custom Panel Dimensions	mm
Ⓐ Height of top door panel	1150 - 1252
Ⓑ Width of top door panel	451
Ⓒ Gap between top door panels	4
Ⓓ Height of bottom drawer panel*	722 - 772
Ⓔ Height from bottom of product to top of bottom drawer panel	874
Ⓕ Width of bottom drawer panel	906
Ⓖ Gap between top door panels and bottom drawer panel	4
Ⓗ Height of toe-kick panel*	101 - 152
Ⓘ Maximum depth of custom panels	min 16 max 19
Maximum weight of an individual top door panel**	
	10kg
Maximum weight of bottom drawer panel**	
	11kg

Custom door panels, toe-kick and handles to be manufactured and fitted by cabinetmaker.

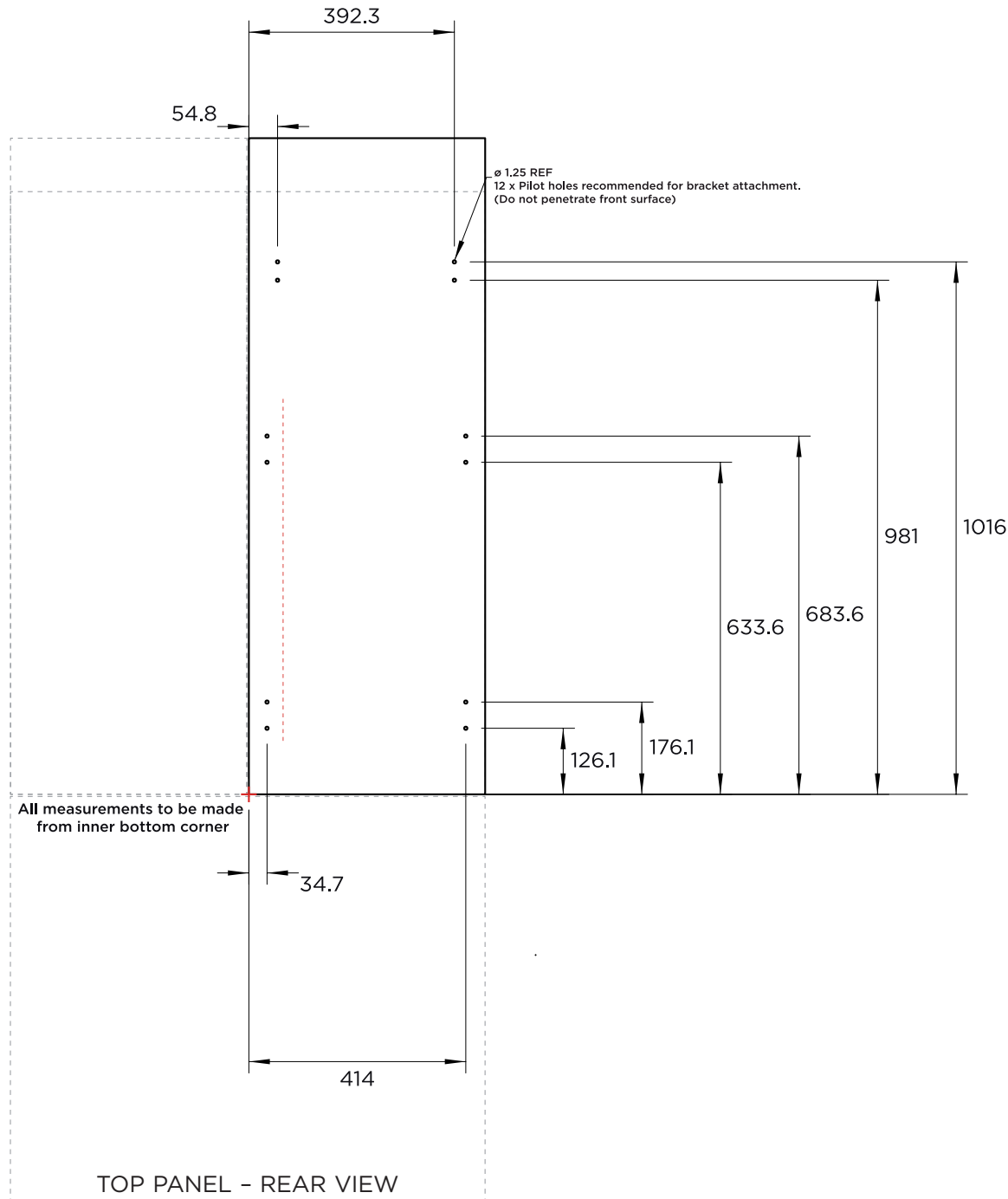
* The bottom grille can be reduced to allow for a higher toe-kick. Adjust the height of the bottom drawer panel accordingly.

** Includes weight of handle.

INDICATES CAVITY CLEARANCES - - - - -

DATE: 14.10.2015

IMPORTANT NOTE: Throughout this guide, dimensions may vary by $\pm 2\text{mm}$ ($3/32''$). Please read the installation manual for detailed information on installing the product. www.fisherpaykel.com



CUSTOM PANEL PREPARATIONS

36" ActiveSmart™ Built-in Refrigerator

Model no:
RS36A80J1

Custom Panel Preparation

Dimensions are shown in Metric (mm)

Dimensions apply for the preparation and installation of custom panels

Custom panels are for non-Ice & Water models only

For the second panel mirror and repeat dimensions using inner bottom corner as the reference point

Handles

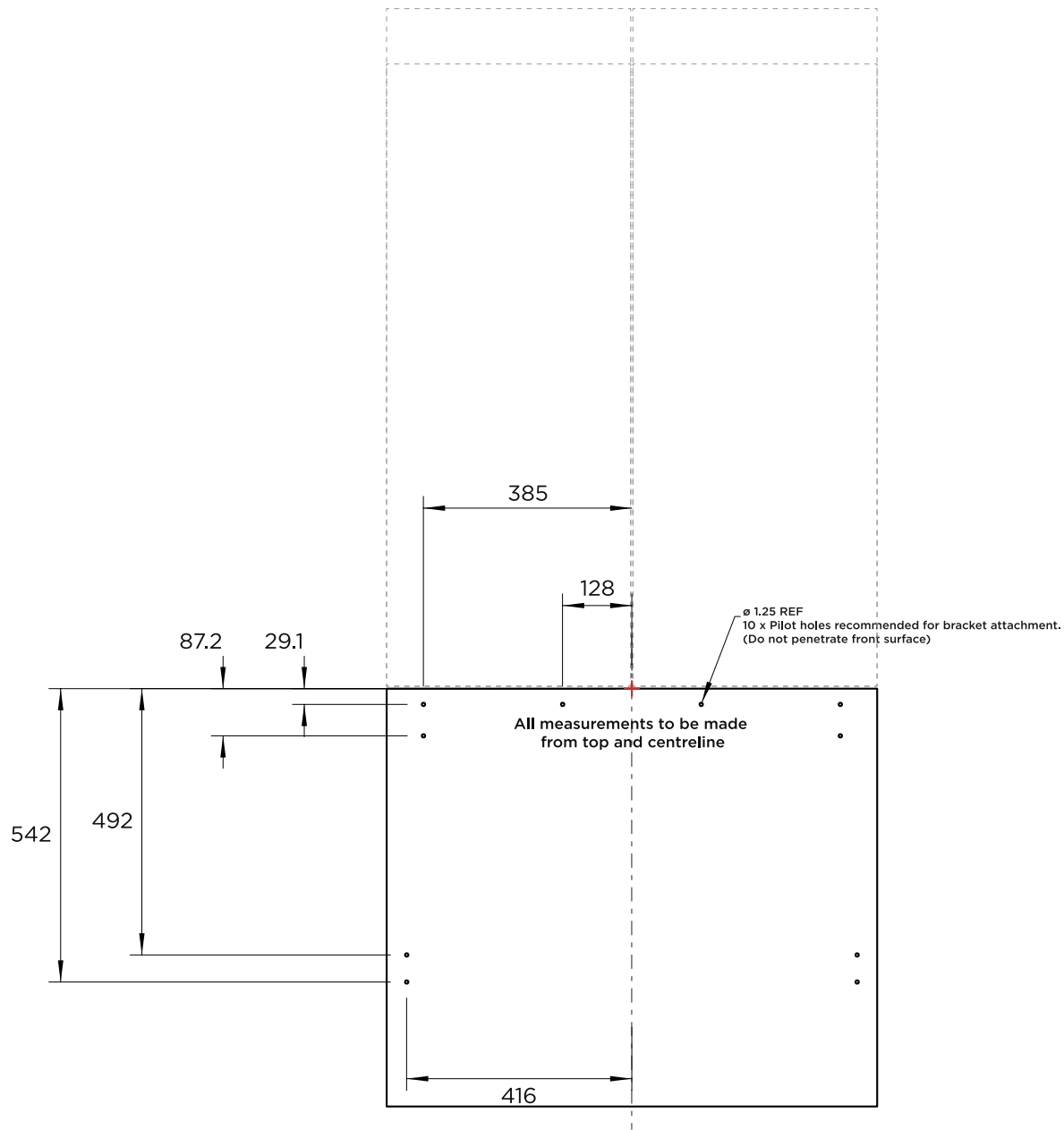
Ensure handle is mounted 65 mm from inner edge of panel to the centre - this will avoid interference with brackets. (Refer red dash line)

Dwg & Dxf Files

Dwg and Dxf files of the panel preparation are available within the download folder for this product and can be found on <http://thekitchentools.fisherpaykel.com>

DATE: 14.10.2015

IMPORTANT NOTE: Throughout this guide, dimensions may vary by ±2mm (3/32"). Please read the installation manual for detailed information on installing the product. www.fisherpaykel.com



BOTTOM PANEL - REAR VIEW

CUSTOM PANEL PREPARATIONS

36" ActiveSmart™ Built-in Refrigerator

Model no:
RS36A80J1

Custom Panel Preparation

Dimensions are shown in Metric (mm)

Dimensions apply for the preparation and installation of custom panels

Custom panels are for non-Ice & Water models only

Handles

Ensure handle screw heads are counter sunk into back of panel to avoid interfering with hanging bracket

Dwg & Dxf Files

Dwg and Dxf files of the panel preparation are available within the download folder for this product and can be found on <http://thekitchentools.fisherpaykel.com>

DATE: 14.10.2015

IMPORTANT NOTE: Throughout this guide, dimensions may vary by ±2mm (3/32"). Please read the installation manual for detailed information on installing the product. www.fisherpaykel.com

CAVITY PREPARATION - FRAMELESS

36" ActiveSmart™ Built-in Refrigerator

Model no:

RS36A80U1 (with Stainless Steel Door panels PART NO. RD3680U or PART NO. RD3684U)
RS36A80J1 (with Stainless Steel Door panels PART NO. RD3680 or PART NO. RD3684)
RS36A80J1

Cavity Dimensions	mm
Ⓐ Overall height of cavity	2032/2134
Ⓑ Overall width of cavity	914
Ⓒ Overall depth of cavity	629

Specifications

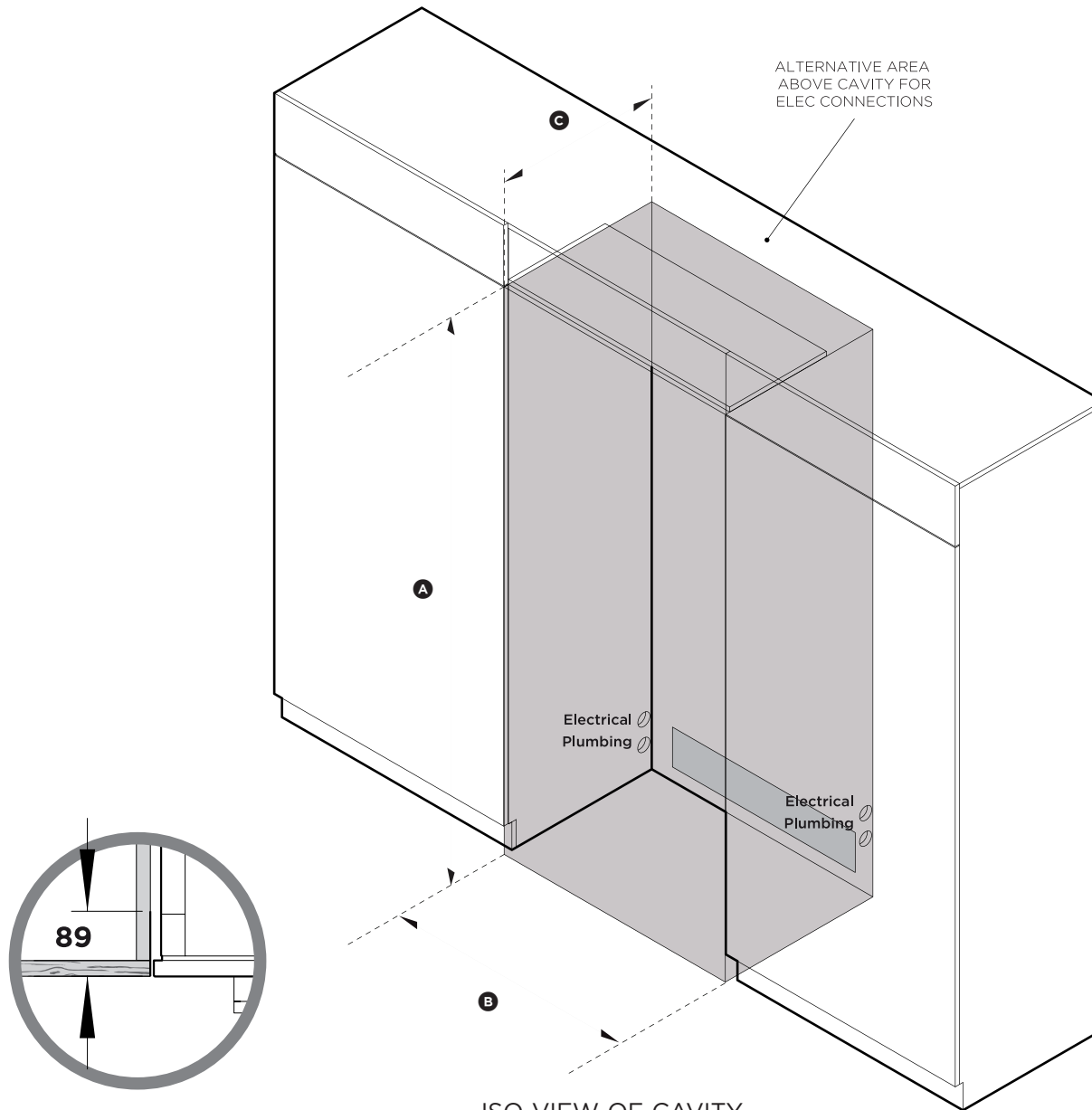
Electrical

Supply	115 VAC, 60 Hz
Service	10 amp circuit

Plumbing

Supply	1/4" (6mm) comp. stainless steel braided hose
Pressure	min 22 psi (150 kPa) max 120 psi (827 kPa) @ 68°F (20°C)

NOTE: Electrical connection can be located an adjacent cabinet to either side of the fridge or above the fridge cavity.



ISO VIEW OF CAVITY

Frameless: Finished return, sides and top

DATE: 14.10.2015

IMPORTANT NOTE: Throughout this guide, dimensions may vary by $\pm 2\text{mm}$ ($3/32''$). Please read the installation manual for detailed information on installing the product. www.fisherpaykel.com

Fisher & Paykel

CAVITY PREPARATION - FRAMED

36" ActiveSmart™ Built-in Refrigerator

Model no:

RS36A80U1 (with Stainless Steel Door panels PART NO. RD3680U or PART NO. RD3684U)
RS36A80J1 (with Stainless Steel Door panels PART NO. RD3680 or PART NO. RD3684)
RS36A80J1

Ⓐ Cavity Dimensions	mm
Ⓐ Overall height of cavity	2032/2134
Ⓑ Overall width of cavity	914
Ⓒ Overall depth of cavity	629

Specifications

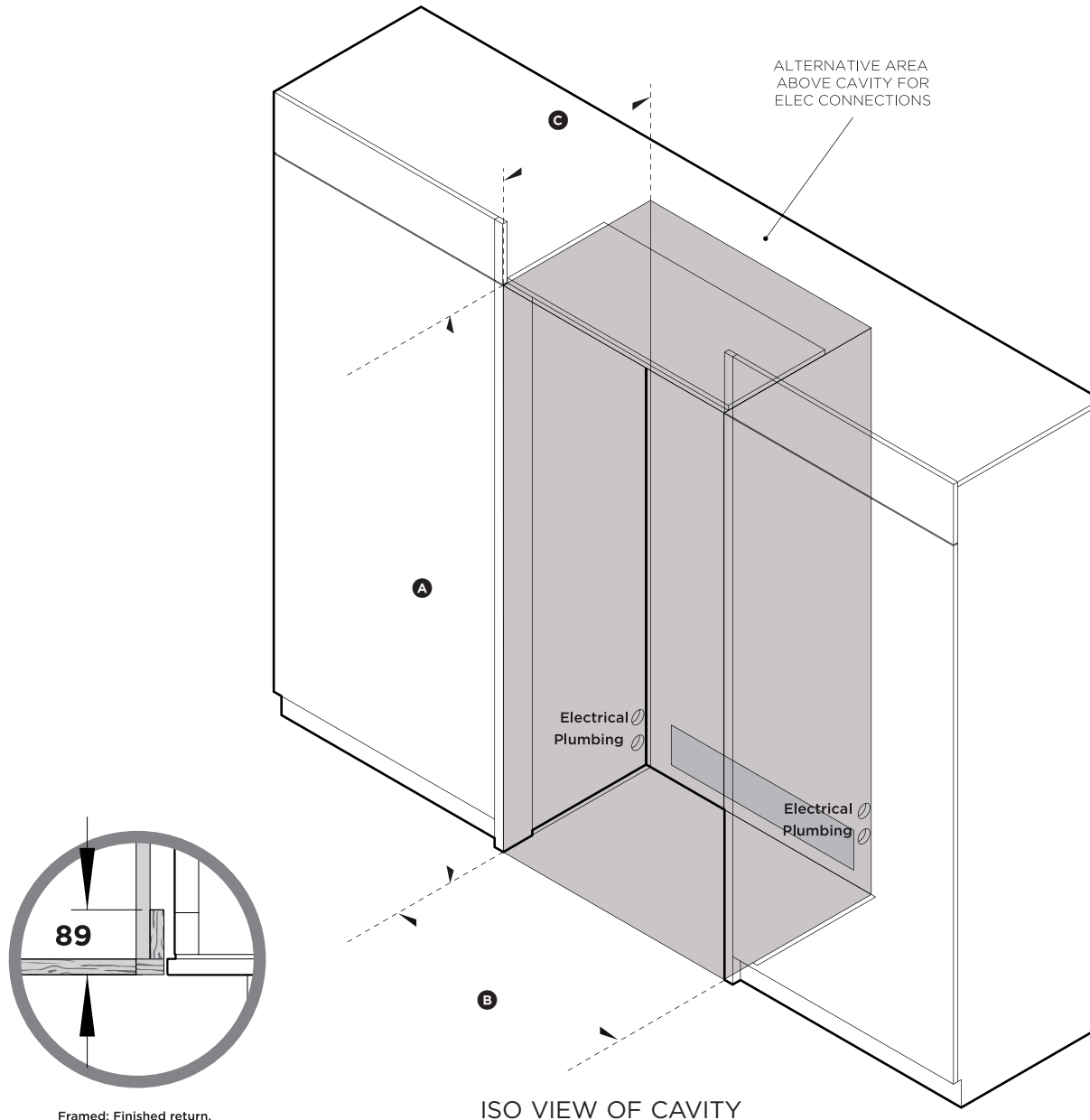
Electrical

Supply	115 VAC, 60 Hz
Service	10 amp circuit

Plumbing

Supply	1/4" (6mm) comp. stainless steel braided hose
Pressure	min 22 psi (150 kPa) max 120 psi (827 kPa) @ 68°F (20°C)

NOTE: Electrical connection can be located an adjacent cabinet to either side of the fridge or above the fridge cavity.



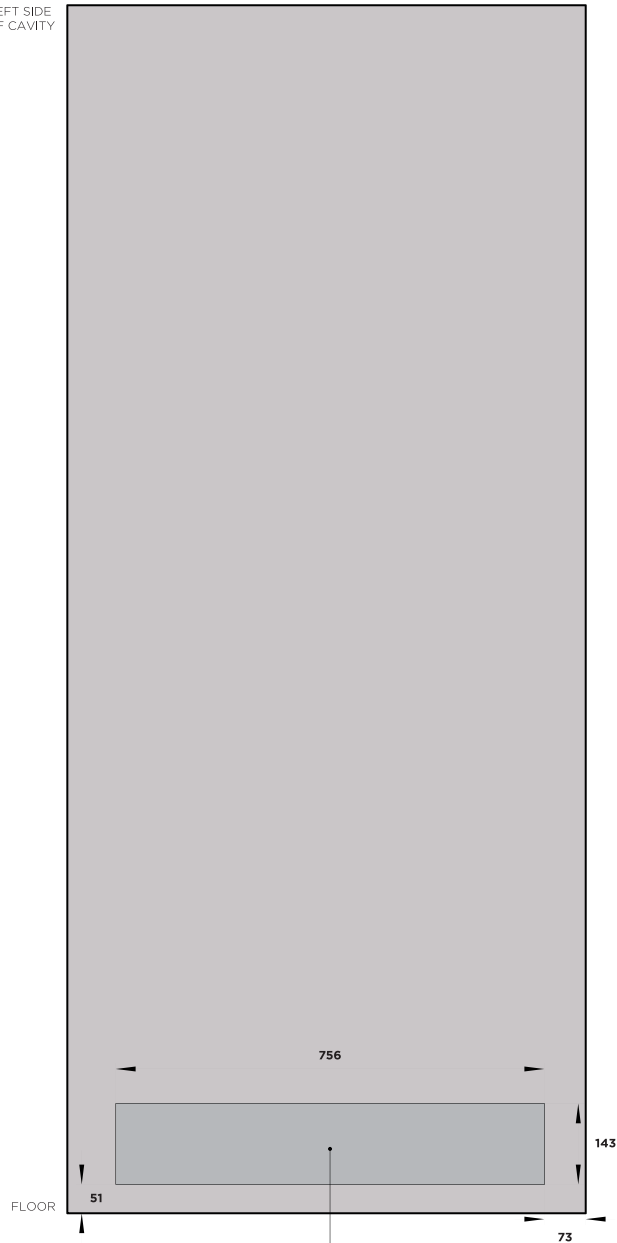
Framed: Finished return, sides and top

DATE: 14.10.2015

IMPORTANT NOTE: Throughout this guide, dimensions may vary by $\pm 2\text{mm}$ ($3/32''$). Please read the installation manual for detailed information on installing the product. www.fisherpaykel.com

Fisher & Paykel

LEFT SIDE
OF CAVITY



FLOOR

REAR OF CAVITY

ELECTRICAL AND WATER CONNECTIONS
MUST BE WITHIN THIS SPACE IF LOCATED
BEHIND THE REFRIGERATOR

CAVITY PREPARATION

36" ActiveSmart™ Built-in Refrigerator

Model no:

RS36A80U1 (with Stainless Steel Door panels PART NO.

RD3680U or PART NO. RD3684U)

RS36A80J1 (with Stainless Steel Door panels PART NO. RD3680

or PART NO. RD3684)

RS36A80J1

Cavity Dimensions	mm
Ⓐ Overall height of cavity	2032/2134
Ⓑ Overall width of cavity	914
Ⓒ Overall depth of cavity	629

Specifications

Electrical

Supply 115 VAC, 60 Hz

Service 10 amp circuit

Plumbing

Supply 1/4" (6mm) comp. stainless steel braided hose

Pressure min 22 psi (150 kPa)
max 120 psi (827 kPa) @ 68°F (20°C)

NOTE: Electrical connection can be located an adjacent cabinet to either side of the fridge or above the fridge cavity.

DATE: 14.10.2015

IMPORTANT NOTE: Throughout this guide, dimensions may vary by ±2mm (3/32"). Please read the installation manual for detailed information on installing the product. www.fisherpaykel.com

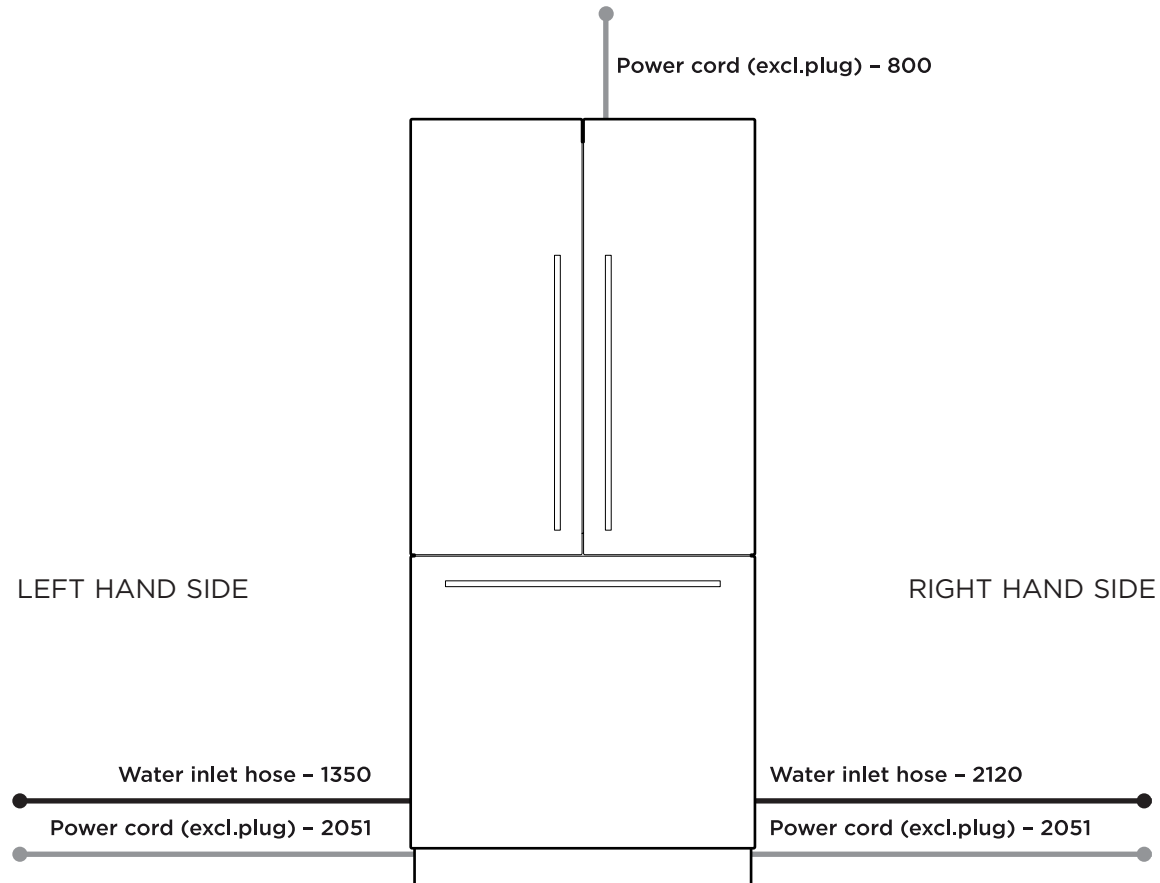
Fisher & Paykel

MAX DISTANCE OF HOSE & CORD

36" ActiveSmart™ Built-in Refrigerator

Model no:

RS36A80U1 (with Stainless Steel Door panels PART NO. RD3680U or PART NO. RD3684U)
RS36A80J1 (with Stainless Steel Door panels PART NO. RD3680 or PART NO. RD3684)
RS36A80J1



DATE: 14.10.2015

IMPORTANT NOTE: Throughout this guide, dimensions may vary by $\pm 2\text{mm}$ ($3/32''$). Please read the installation manual for detailed information on installing the product. www.fisherpaykel.com

IMPORTANT NOTE: The product dimensions and specifications apply at the date of issue. Under our policy of continuous product improvement, these dimensions and specifications may change at any time. Dimensions may vary by $\pm 3/32"$. Please read the installation manual for detailed information on installing the product or visit fisherpaykel.com.